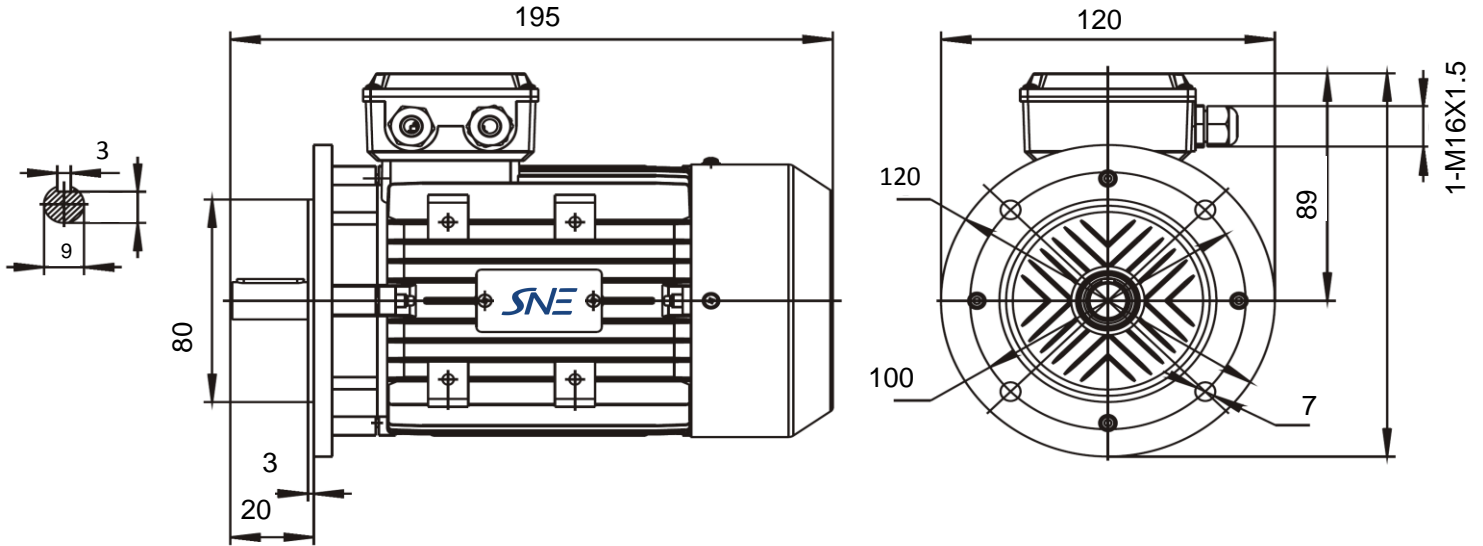


Réf: MS562-2 0,12KW 2P B5

## B5



Specification	<b>IEC 60034-1</b>	Efficiency class		
Manufacturer	<b>SNE</b>	Load data	100%	
Motor type	<b>MS631-4</b>	Efficiency	<b>65,0</b> %	
Rated power	<b>0,12</b> kW	Power factor	<b>0,71</b>	
Speed	<b>2700</b> r.p.m	Sound pressure level (1m)		dB(A)
Voltage	<b>230/400</b> V	Resistance R <sub>20</sub> (open)		Ω
Frequency	<b>50</b> Hz	Resistance R <sub>20</sub>		Ω
Connection		Locked rotor current I <sub>s</sub> /I <sub>r</sub>	<b>5,5</b>	A
230 V	<b>0,65</b> A	Locked rotor torque M <sub>s</sub> /M <sub>r</sub>	<b>2,3</b>	Nm
400 V	<b>0</b> A	Torque max	<b>2,3</b>	Nm
Enclosure	<b>IP 55</b>			
Insulation Class	<b>F/B</b>			
Max. coolant temp.	<b>40°C</b>			
Max. altitude	<b>1 000</b> mtr, above sea level	Rotor inertia	J=GD <sup>2</sup> /4	Kgm <sup>2</sup>
Comment				
Cable entries				
Feature	<b>Aluminium</b>	Bearing DE	<b>6201 2RS/C3</b>	
Weight	<b>4,8</b> kg	Bearing NDE	<b>6201 2RS/C3</b>	