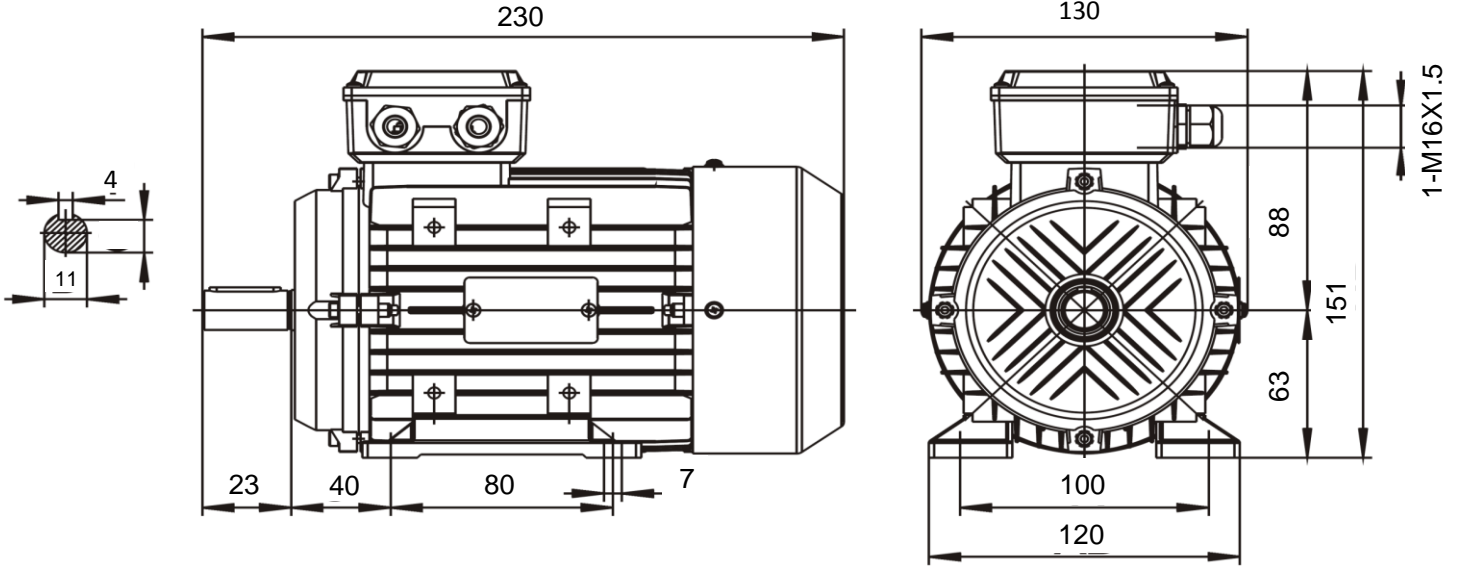


B3



Specification	IEC 034-1	Efficiency class	
Manufacturer	SNE	Load data	100%
Motor type	MS632-4	Efficiency	60,0 %
Rated power	0,18 kW	Power factor	0,66
Speed	1350 r.p.m		
Voltage	230/400 V	Sound pressure level (1m)	
Frequency	50 Hz	Resistance R ₂₀ (open)	Ω
Connection		Resistance R ₂₀	Ω
230 V	1,14 A	Locked rotor current I _s /I _r	4,4 A
400 V	0,66 A	Locked rotor torque M _s /M _r	2,1 Nm
Enclosure	IP 55	Torque max	2,2 Nm
Insulation Class	F/B		
Max. coolant temp.	40°C	Rotor inertia J=GD ² /4	0,000117 Kgm ²
Max. altitude	1 000 mtr, above sea level		
Comment			
Cable entries			
Feature	Aluminium	Bearing DE	6201 2RS/C3
Weight	5 kg	Bearing NDE	6201 2RS/C3