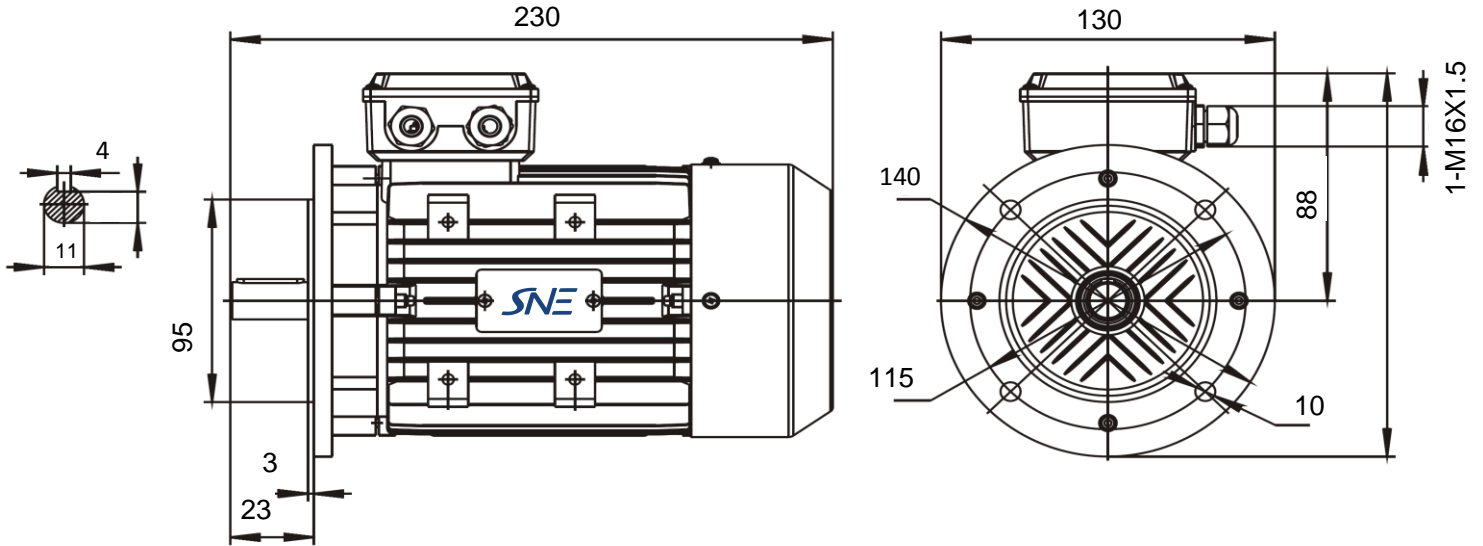


Réf: MS631-4 0,12KW 4P B5

B5



Specification	IEC 60034-1	Efficiency class		
Manufacturer	SNE	Load data	100%	
Motor type	MS631-4	Efficiency	60,0 %	
Rated power	0,18 kW	Power factor	0,66	
Speed	1350 r.p.m			
Voltage	230/400 V	Sound pressure level (1m)		dB(A)
Frequency	50 Hz	Resistance R ₂₀ (open)		Ω
Connection		Resistance R ₂₀		Ω
230 V	1,14 A	Locked rotor current I _s /I _r	4,4	A
400 V	0,66 A	Locked rotor torque M _s /M _r	2,1	Nm
Enclosure	IP 55	Torque max	2,2	Nm
Insulation Class	F/B			
Max. coolant temp.	40°C	Rotor inertia	J=GD ² /4	Kgm ²
Max. altitude	1 000 mtr, above sea level			
Comment				
Cable entries				
Feature	Aluminium	Bearing DE	6201 2RS/C3	
Weight	5 kg	Bearing NDE	6201 2RS/C3	