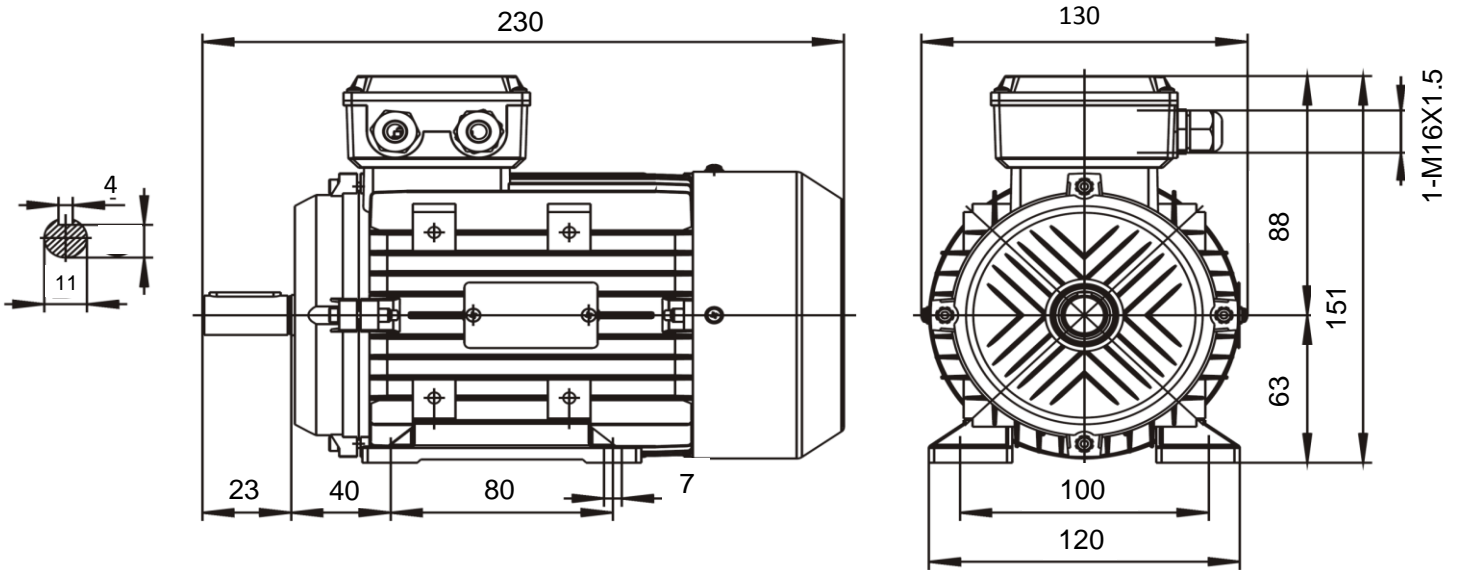


## B3



Specification	<b>IEC 034-1</b>	Efficiency class	
Manufacturer	<b>SNE</b>	Load data	100%
Motor type	<b>2MLA63B2</b>	Efficiency	<b>65,0</b> %
Rated power	<b>0,25</b> kW <b>S1</b> duty	Power factor	<b>0,78</b>
Speed	<b>2760</b> r.p.m	Sound pressure level (1m)	
Voltage	<b>230/400</b> V	Resistance $R_{20}$ (open)	$\Omega$
Frequency	<b>50</b> Hz	Resistance $R_{20}$	$\Omega$
Connection		Locked rotor current $I_s/I_n$	<b>5,5</b> A
230 V	<b>1,23</b> A	Locked rotor torque $M_s/M_n$	<b>2,2</b> Nm
400 V	<b>0,71</b> A	Torque max	<b>2,2</b> Nm
Enclosure	<b>IP 55</b>		
Insulation Class	<b>F/B</b>		
Max. coolant temp.	<b>40°C</b>		
Max. altitude	<b>1 000</b> mtr, above sea level	Rotor inertia $J=GD^2/4$	<b>0,000113</b> Kgm <sup>2</sup>
Comment			
Cable entries			
Feature	<b>Aluminium</b>	Bearing DE	<b>6201 2RS/C3</b>
Weight	<b>5,3</b> kg	Bearing NDE	<b>6201 2RS/C3</b>