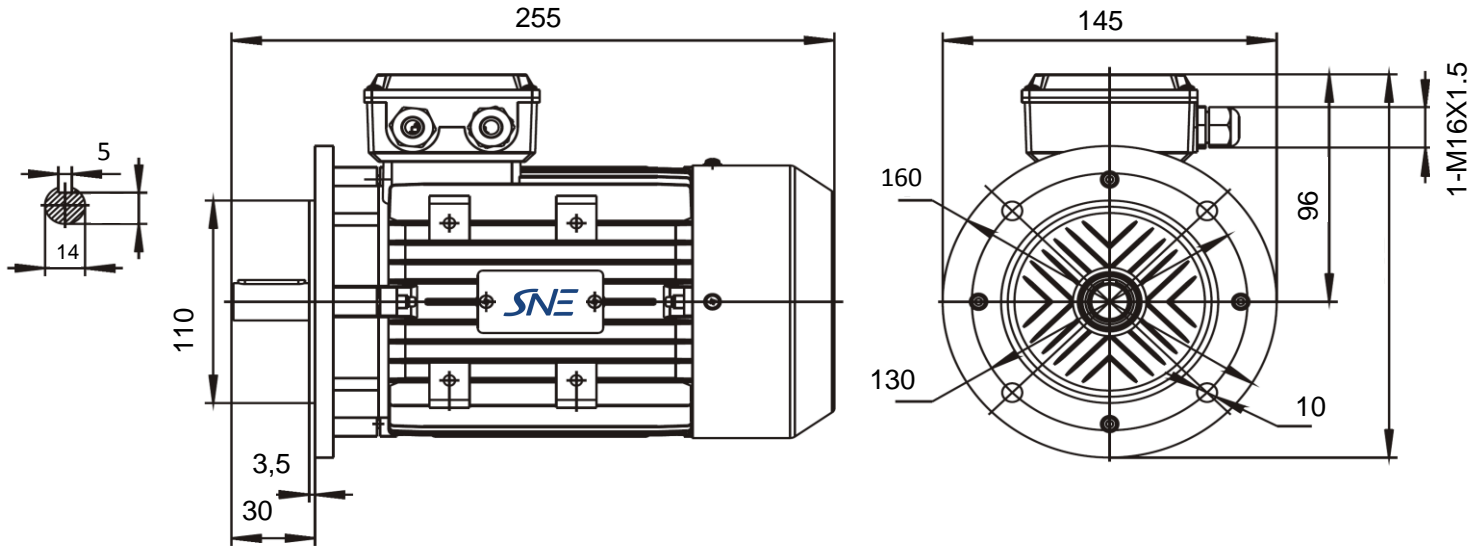


Réf: MS711-2 0,37KW 2P B5

B5



Specification	IEC 60034-1	Efficiency class		
Manufacturer	SNE	Load data	100%	
Motor type	MS711-2	Efficiency	66,0 %	
Rated power	0,37 kW	Power factor	0,80	
Speed	2800 r.p.m	Sound pressure level (1m)		dB(A)
Voltage	230/400 V	Resistance R_{20} (open)		Ω
Frequency	50 Hz	Resistance R_{20}		Ω
Connection		Locked rotor current I_s/I_r	6,1	A
230 V	1,75 A	Locked rotor torque M_s/M_r	2,2	Nm
400 V	1,01 A	Torque max	2,2	Nm
Enclosure	IP 55			
Insulation Class	F/B			
Max. coolant temp.	40°C			
Max. altitude	1 000 mtr, above sea level	Rotor inertia	$J=GD^2/4$	Kgm ²
Comment				
Cable entries				
Feature	Aluminium	Bearing DE	6202 2RS/C3	
Weight	6,5 kg	Bearing NDE	6201 2RS/C3	