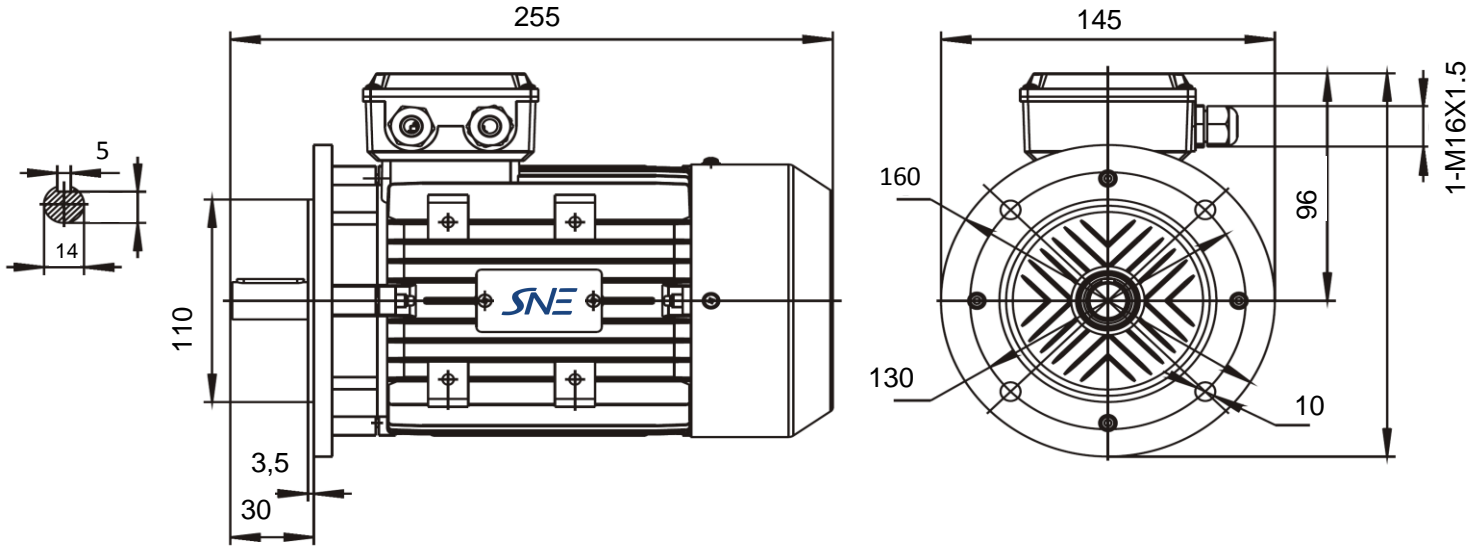


Réf: MS712-2 0,37KW 2P B5

B5



Specification	IEC 60034-1		
Manufacturer	SNE		
Motor type	MS712-2		
Rated power	0,55	kW	S1 duty
Speed	2800	r.p.m	
Voltage	230/400	V	
Frequency	50	Hz	
Connection			
230 V	2,36	A	
400 V	1,36	A	
Enclosure	IP 55		
Insulation Class	F/B		

Efficiency class	
Load data	100%
Efficiency	71,0 %
Power factor	0,82

Sound pressure level (1m)		dB(A)
Resistance R ₂₀ (open)		Ω
Resistance R ₂₀		Ω
Locked rotor current I _s /I _r	6,1	A
Locked rotor torque M _s /M _r	2,2	Nm
Torque max	2,3	Nm

Max. coolant temp.	40°C
Max. altitude	1 000 mtr, above sea level
Comment	
Cable entries	

Rotor inertia J=GD²/4 Kgm²

Feature	Aluminium
Weight	7 kg

Bearing DE	6202 2RS/C3
Bearing NDE	6201 2RS/C3