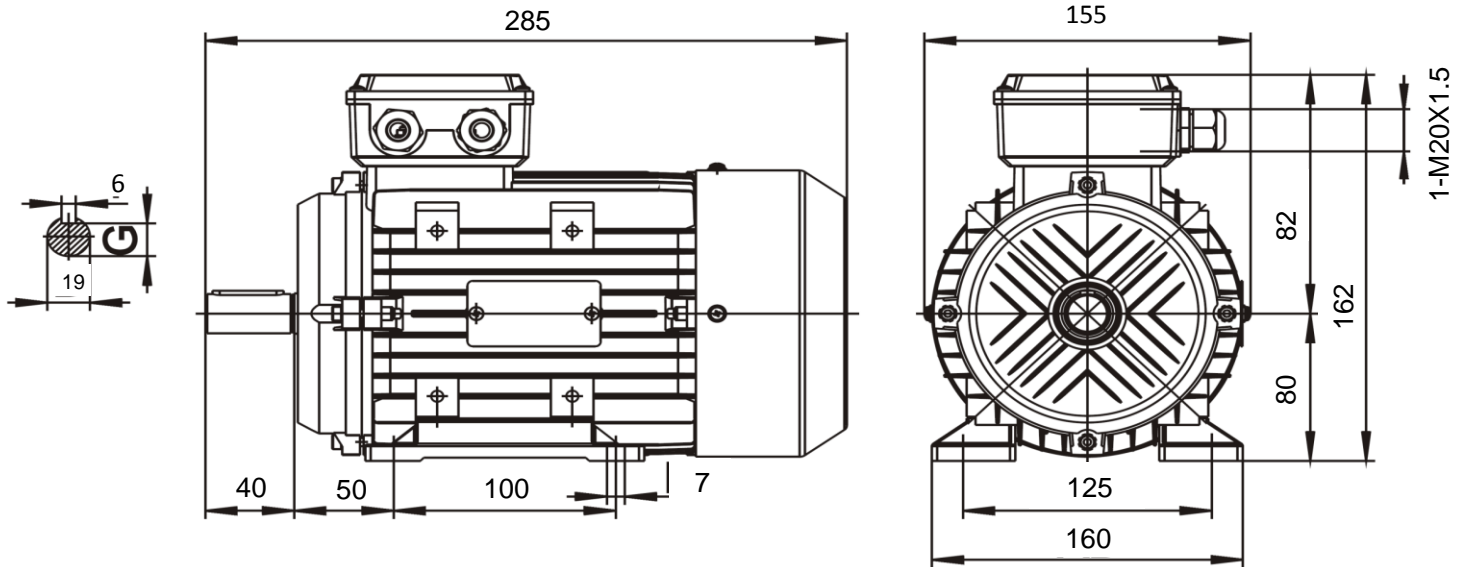


B3



Specification	IEC 034-1	Efficiency class	
Manufacturer	SNE	Load data	100%
Motor type	MS801-6	Efficiency	62,0 %
Rated power	0,37 kW S1 duty	Power factor	0,70
Speed	900 r.p.m	Sound pressure level (1m)	
Voltage	230/400 V	Resistance R_{20} (open)	Ω
Frequency	50 Hz	Resistance R_{20}	Ω
Connection		Locked rotor current I_s/I_r	4,7 A
230 V	2,13 A	Locked rotor torque M_s/M_r	1,9 Nm
400 V	1,23 A	Torque max	2,0 Nm
Enclosure	IP 55		
Insulation Class	F/B		
Max. coolant temp.	40°C		
Max. altitude	1 000 mtr, above sea level	Rotor inertia $J=GD^2/4$	0,001146 Kgm ²
Comment			
Cable entries			
Feature	Aluminium	Bearing DE	6204 2RS/C3
Weight	9 kg	Bearing NDE	6204 2RS/C3