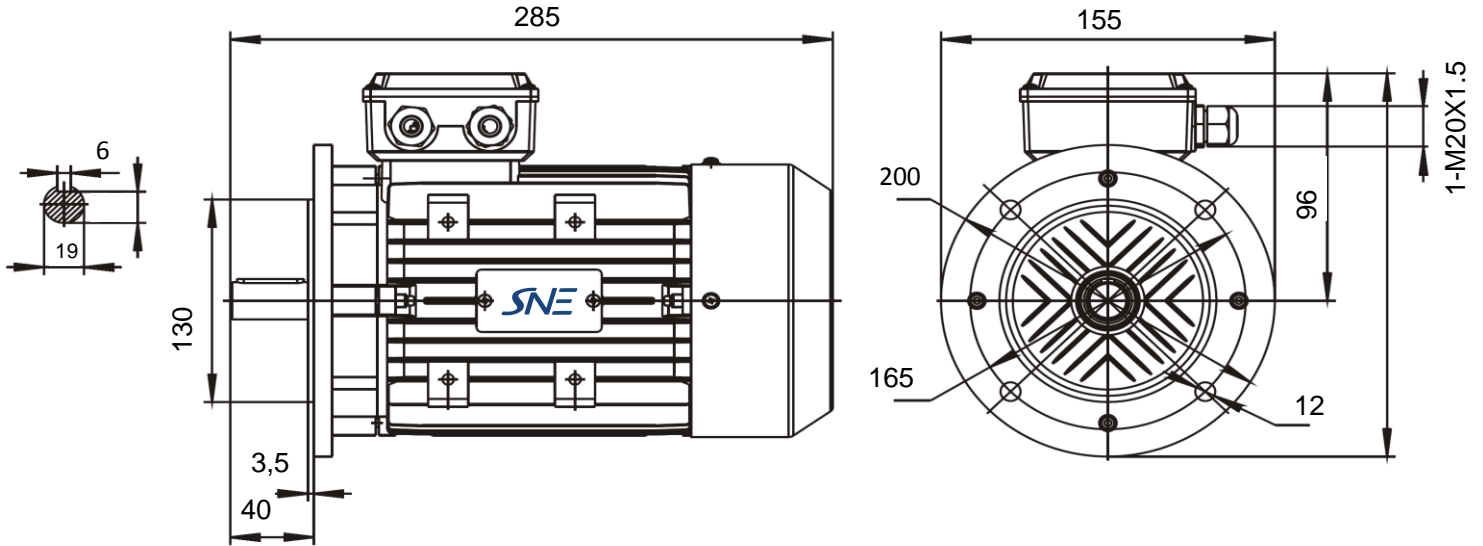


Réf: MS801-6 0,37KW 6P B5

B5



Specification	IEC 60034-1	Efficiency class		
Manufacturer	SNE	Load data	100%	
Motor type	MS801-6	Efficiency	62,0 %	
Rated power	0,37 kW	Power factor	0,70	
Speed	900 r.p.m			
Voltage	230/400 V	Sound pressure level (1m)		dB(A)
Frequency	50 Hz	Resistance R ₂₀ (open)		Ω
Connection		Resistance R ₂₀		Ω
230 V	2,13 A	Locked rotor current I _s /I _r	4,7	A
400 V	1 A	Locked rotor torque M _s /M _r	1,9	Nm
Enclosure	IP 55	Torque max	2,0	Nm
Insulation Class	F/B			
Max. coolant temp.	40°C			
Max. altitude	1 000 mtr, above sea level	Rotor inertia	J=GD ² /4	Kgm ²
Comment				
Cable entries				
Feature	Aluminium	Bearing DE	6204 2RS/C3	
Weight	9 kg	Bearing NDE	6204 2RS/C3	