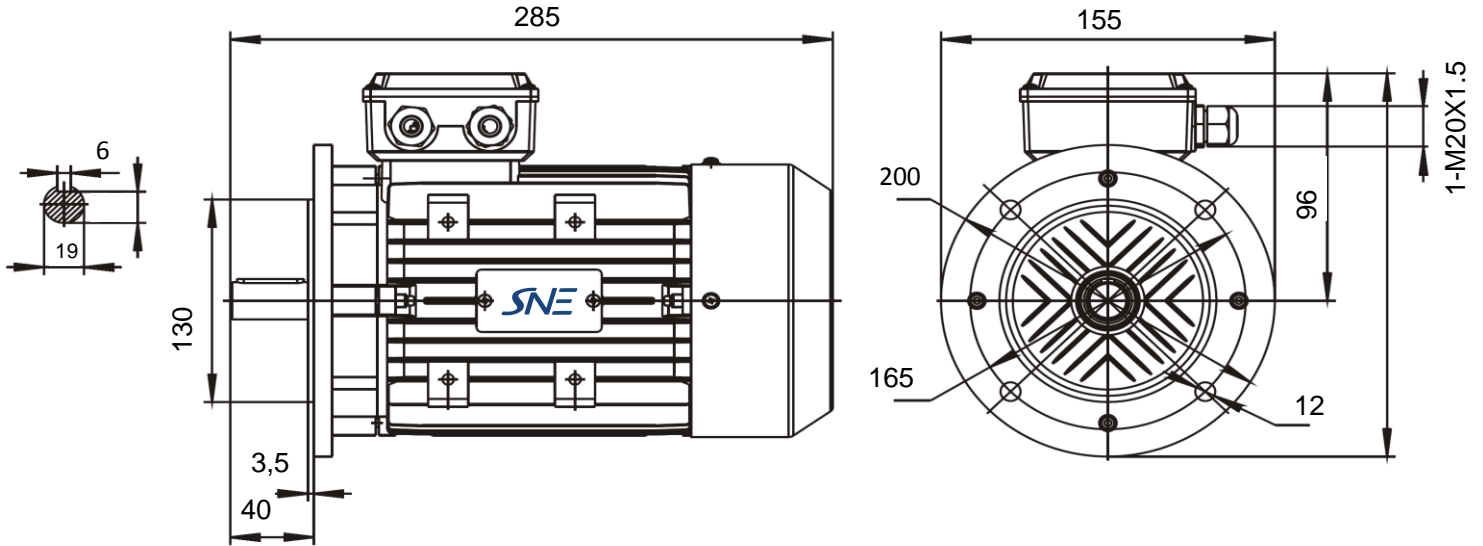


Réf: MS801-4 0,55KW 4P B5

## B5



Specification	<b>IEC 60034-1</b>		
Manufacturer	<b>SNE</b>		
Motor type	<b>MS801-4</b>		
Rated power	<b>0,55</b>	kW	<b>S1</b> duty
Speed	<b>1390</b>	r.p.m	
Voltage	<b>230/400</b>	V	
Frequency	<b>50</b>	Hz	
Connection			
230 V	<b>2,81</b>	A	
400 V	<b>2</b>	A	
Enclosure	<b>IP 55</b>		
Insulation Class	<b>F/B</b>		
Max. coolant temp.	<b>40°C</b>		
Max. altitude	<b>1 000</b>	mtr, above sea level	
Comment			
Cable entries			

Efficiency class			
Load data	100%		
Efficiency	<b>67,0</b>	%	
Power factor	<b>0,73</b>		
Sound pressure level (1m)			dB(A)
Resistance R <sub>20</sub> (open)			Ω
Resistance R <sub>20</sub>			Ω
Locked rotor current Is/Ir	<b>5,2</b>		A
Locked rotor torque Ms/Mr	<b>2,4</b>		Nm
Torque	<b>2,4</b>		Nm
Torque max	<b>2,3</b>		Nm
Rotor inertia	J=GD <sup>2</sup> /4		Kgm <sup>2</sup>

Feature	<b>Aluminium</b>
Weight	<b>9</b> kg

Bearing DE	<b>6204 2RS/C3</b>
Bearing NDE	<b>6204 2RS/C3</b>