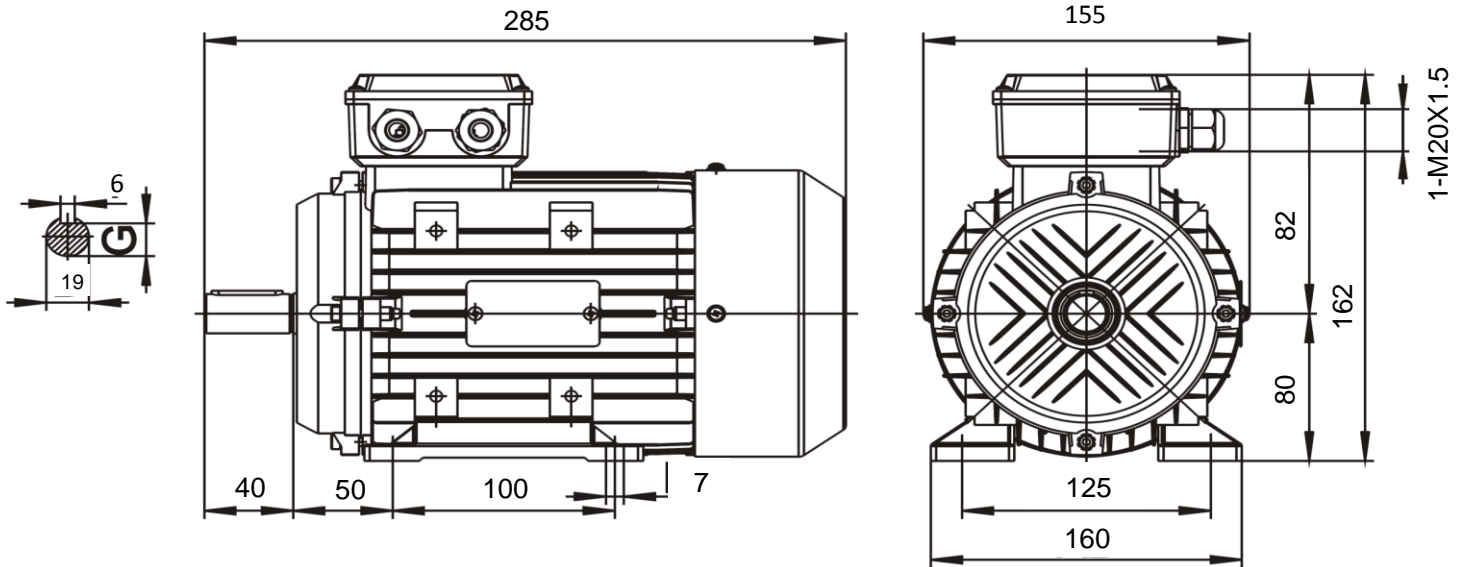


# B3



Specification	<b>IEC 034-1</b>	Efficiency class	
Manufacturer	<b>SNE</b>	Load data	100%
Motor type	<b>MS802-6</b>	Efficiency	<b>67,0</b> %
Rated power	<b>0,55</b> kW	Power factor	<b>0,72</b>
Speed	<b>900</b> r.p.m	Sound pressure level (1m)	
Voltage	<b>230/400</b> V	Resistance R <sub>20</sub> (open)	Ω
Frequency	<b>50</b> Hz	Resistance R <sub>20</sub>	Ω
Connection		Locked rotor current I <sub>s</sub> /I <sub>r</sub>	<b>4,7</b> A
230 V	<b>2,85</b> A	Locked rotor torque M <sub>s</sub> /M <sub>r</sub>	<b>1,9</b> Nm
400 V	<b>1,65</b> A	Torque max	<b>2,1</b> Nm
Enclosure	<b>IP 55</b>		
Insulation Class	<b>F/B</b>		
Max. coolant temp.	<b>40°C</b>		
Max. altitude	<b>1 000</b> mtr, above sea level	Rotor inertia J=GD <sup>2</sup> /4	<b>0,001146</b> Kg <sup>m</sup> <sup>2</sup>
Comment			
Cable entries			
Feature	<b>Aluminium</b>	Bearing DE	<b>6204 2RS/C3</b>
Weight	<b>10,5</b> kg	Bearing NDE	<b>6204 2RS/C3</b>