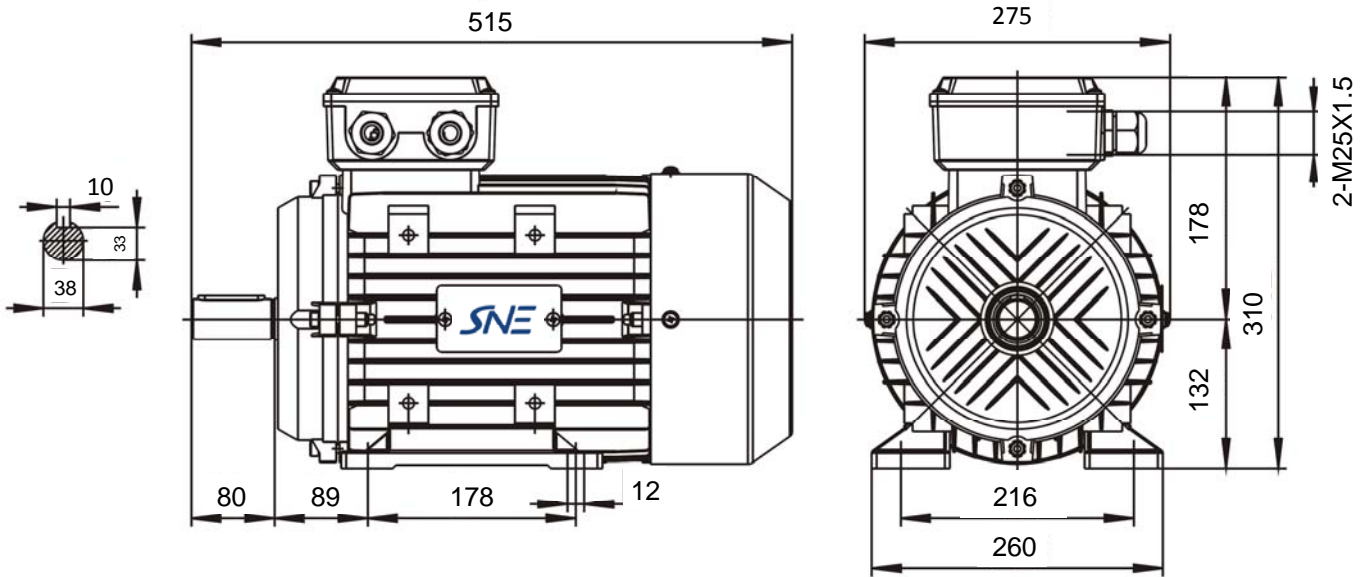


**Réf: MSE3-132S2 7,5KW 2P B3**

**B3**



Specification	<b>IEC 60034-1</b>		
Manufacturer	<b>SNE</b>		
Motor type	<b>MSE3-132S2</b>		
Rated power	<b>7,5</b> kW	<b>S1</b>	duty
Speed	<b>2930</b>	r.p.m	
Voltage	<b>400/690</b>	V	
Frequency	<b>50</b>	Hz	
Connection			
400 V	<b>14</b>	A	
690 V	<b>8,1</b>	A	
Enclosure	<b>IP 55</b>		
Insulation Class	<b>F/B</b>		
Max. coolant temp.	<b>40°C</b>		
Max. altitude	<b>1 000</b>	mtr, above sea level	
Comment			
Cable entries			
Feature	<b>Aluminium</b>		
Weight	<b>55</b>	kg	

Efficiency class			
Load data	100%		
Efficiency	<b>91,8</b>		
Power factor	<b>0,88</b>		
Sound pressure level (1m)	<b>73,0</b>	dB(A)	
Resistance R <sub>20</sub> (open)		Ω	
Resistance R <sub>20</sub>		Ω	
Locked current Rated Current	<b>7,3</b>		
Locked current Rated Torque	<b>2,0</b>		
Torque	<b>24,4</b>		
Torque max / Rated Torque	<b>3</b>		
Rotor inertia	J=GD <sup>2</sup> /4	Kgm <sup>2</sup>	
Bearing DE	<b>6308 2RS/C3</b>		
Bearing NDE	<b>6208 2RS/C3</b>		