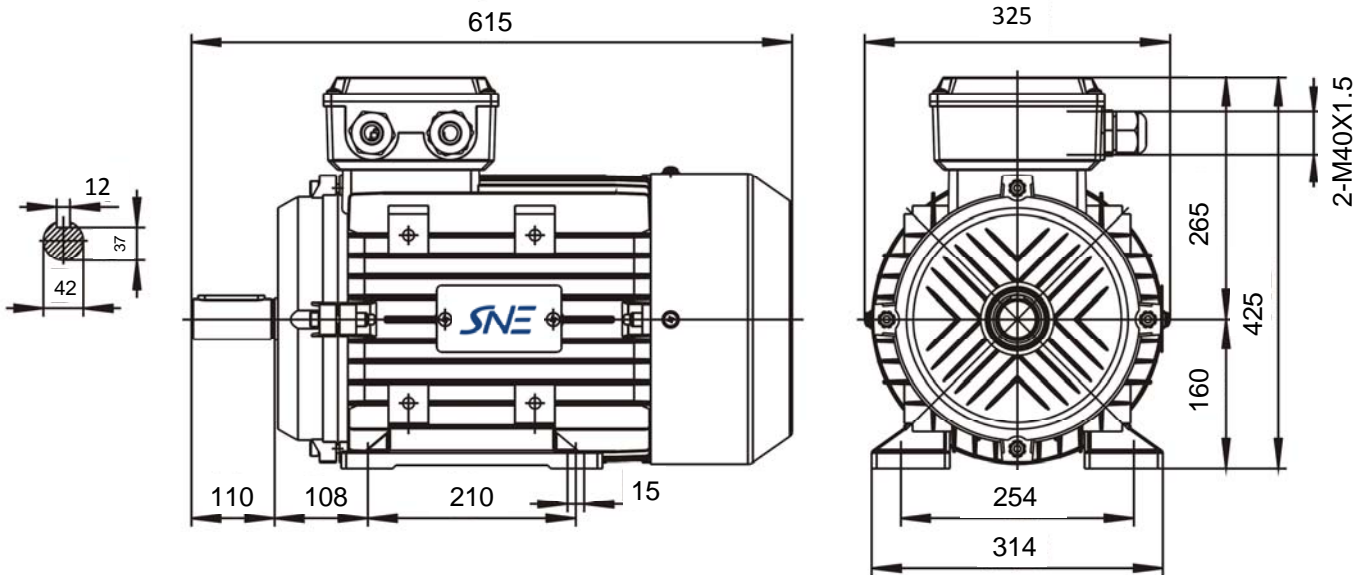


Réf: **MSE3-160M 11KW 4P B3**

B3



Specification **IEC 60034-1**
 Manufacturer **SNE**
 Motor type **MSE3160M**
 Rated power **11** kW **S1** duty
 Speed **1465** r.p.m
 Voltage **400/690** V
 Frequency **50** Hz
 Connection

400 V **21,2** A
 690 V **12,3** A
 Enclosure **IP 55**
 Insulation Class **F/B**

Max. coolant temp. **40°C**
 Max. altitude **1 000** mtr, above sea level
 Comment
 Cable entries

Feature **Aluminium**
 Weight **102** kg

Efficiency class
 Load data 100%
 Efficiency **91,4**
 Power factor **0,82**

Sound pressure level (1m) **66,0** dB(A)
 Resistance R₂₀ (open) Ω
 Resistance R₂₀ Ω

Locked current Rated Current **5,9**
 Locked current Rated Torque **1,7**
 Torque **71,7**
 Torque max / Rated Torque **2,5**

Rotor inertia J=GD²/4 Kgm²

Bearing DE **6209 2RS/C3**
 Bearing NDE **6209 2RS/C3**