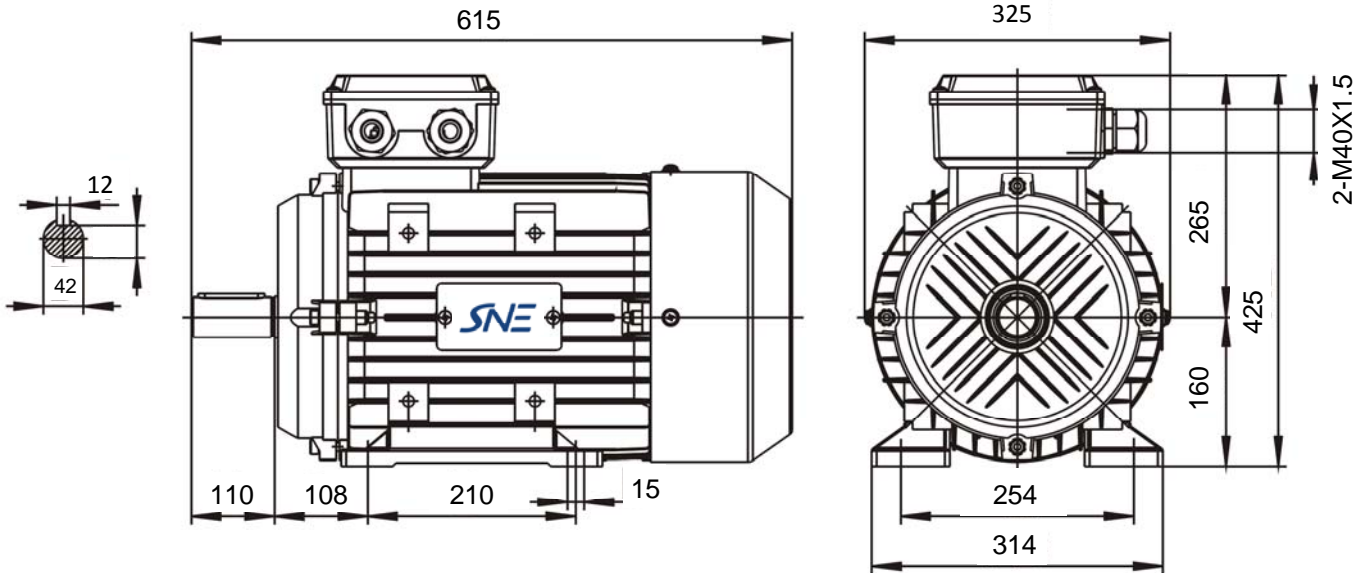


Réf: **MSE3-160M 7,5KW 6P B3**

## B3



Specification	<b>IEC 60034-1</b>		
Manufacturer	<b>SNE</b>		
Motor type	<b>MSE3-160M</b>		
Rated power	<b>7,5</b> kW	<b>S1</b>	duty
Speed	<b>970</b> r.p.m		
Voltage	<b>400/690</b> V		
Frequency	<b>50</b> Hz		
Connection			
400 V	<b>16</b> A		
690 V	<b>9,26</b> A		
Enclosure	<b>IP 55</b>		
Insulation Class	<b>F/B</b>		
Max. coolant temp.	<b>40°C</b>		
Max. altitude	<b>1 000</b> mtr,	above sea level	
Comment			
Cable entries			
Feature	<b>Aluminium</b>		
Weight	<b>103</b> kg		

Efficiency class			
Load data	100%		
Efficiency	<b>89,1</b>		
Power factor	<b>0,77</b>		
Sound pressure level (1m)	<b>61,0</b>	dB(A)	
Resistance R <sub>20</sub> (open)	Ω		
Resistance R <sub>20</sub>	Ω		
Locked current Rated Current	<b>5,9</b>		
Locked current Rated Torque	<b>1,7</b>		
Torque	<b>73,8</b>		
Torque max / Rated Torque	<b>2,5</b>		
Rotor inertia	J=GD <sup>2</sup> /4	Kgm <sup>2</sup>	
Bearing DE	<b>6209 2RS/C3</b>		
Bearing NDE	<b>6209 2RS/C3</b>		