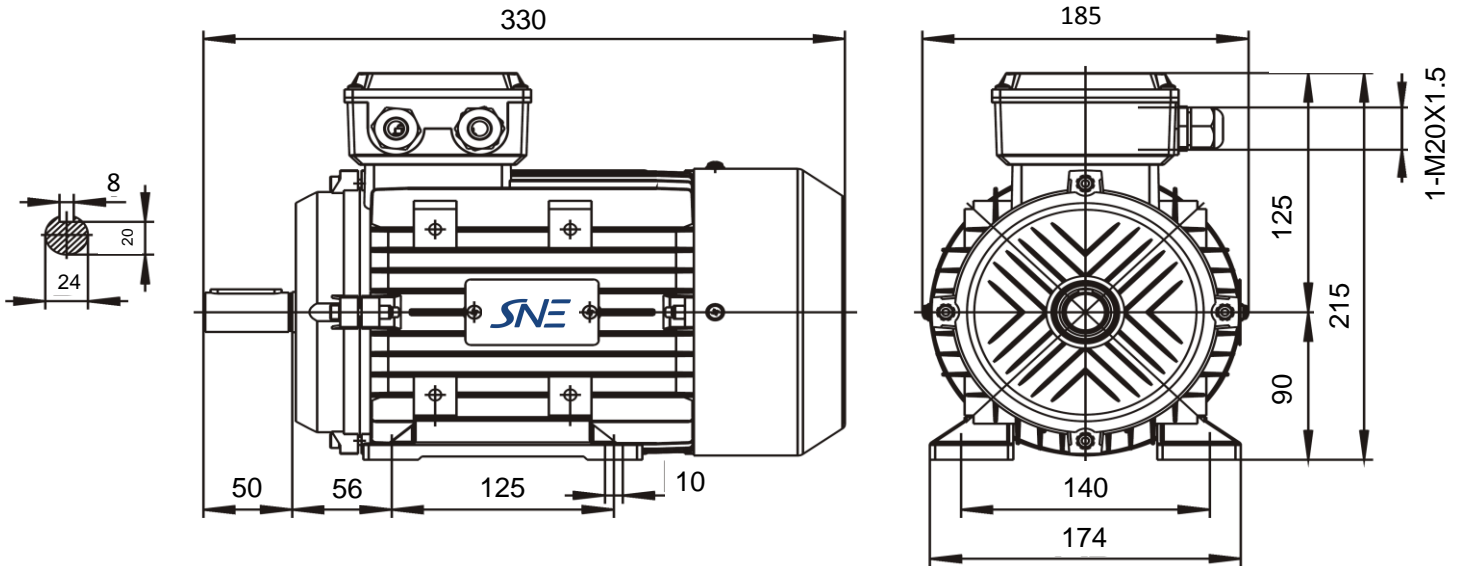


Réf: **MSHE-100L1 2,2KW 4P B3**

**B3**



Specification	<b>IEC 60034-1</b>		
Manufacturer	<b>SNE</b>		
Motor type	<b>MSHE-100L1</b>		
Rated power	<b>2,2</b> kW	<b>S1</b>	duty
Speed	<b>1420</b> r.p.m		
Voltage	<b>230/400</b> V		
Frequency	<b>50</b> Hz		
Connection			
230 V	<b>8,38</b> A		
400 V	<b>4,82</b> A		
Enclosure	<b>IP 55</b>		
Insulation Class	<b>F/B</b>		
Max. coolant temp.	<b>40°C</b>		
Max. altitude	<b>1 000</b> mtr,	above sea level	
Comment			
Cable entries			
Feature	<b>Aluminium</b>		
Weight	<b>26</b> kg		

Efficiency class			
Load data	100%	75%	50%
Efficiency	<b>84,5</b>	<b>84,6</b>	<b>83,7</b> %
Power factor	<b>0,78</b>	<b>0,72</b>	<b>0,60</b>
Sound pressure level (1m)			<b>64,0</b> dB(A)
Resistance R <sub>20</sub> (open)			Ω
Resistance R <sub>20</sub>			Ω
Locked rotor current Is/Ir			<b>7,0</b> A
Locked rotor torque Ms/Mr			<b>3,5</b> Nm
Torque			<b>14,4</b> Nm
Torque max			<b>3</b> Nm
Rotor inertia	J=GD <sup>2</sup> /4	Kg <sup>m</sup> <sup>2</sup>	
Bearing DE			<b>6206 2RS/C3</b>
Bearing NDE			<b>6206 2RS/C3</b>