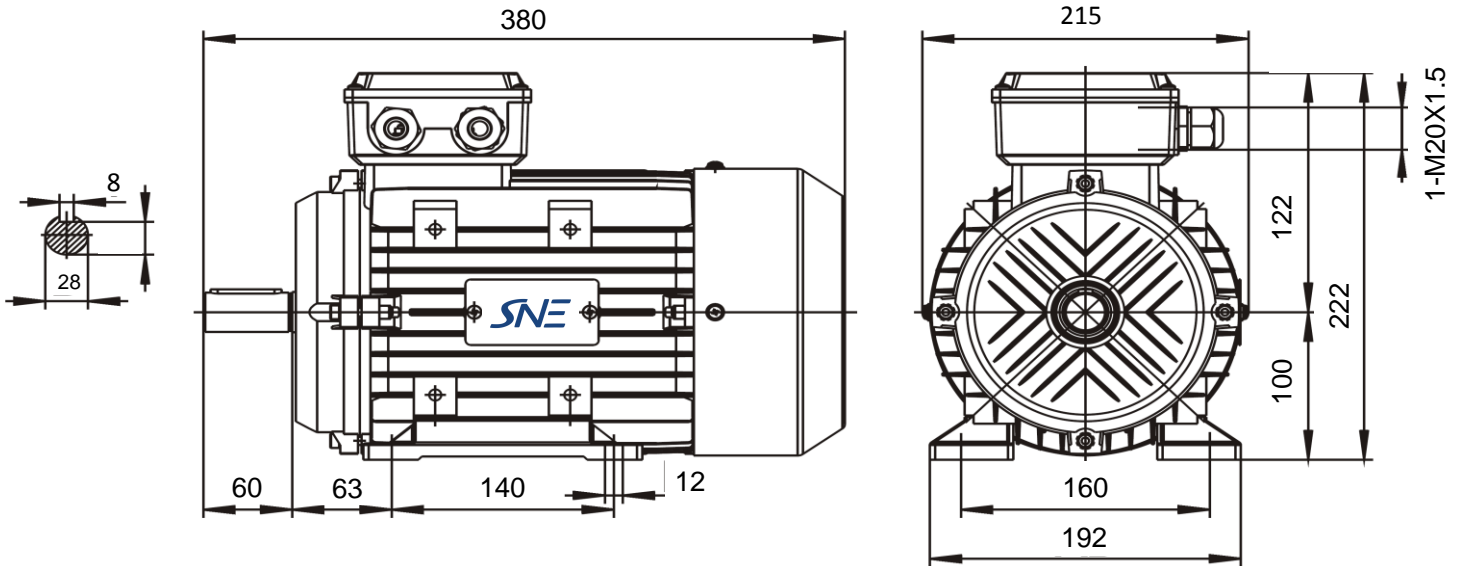


Réf: MSHE-100L 1,5KW 6P B3

B3



Specification	IEC 60034-1		
Manufacturer	SNE		
Motor type	MSHE-100L		
Rated power	1,5 kW	S1	duty
Speed	940 r.p.m		
Voltage	230/400 V		
Frequency	50 Hz		
Connection			
230 V	6,72 A		
400 V	3,87 A		
Enclosure	IP 55		
Insulation Class	F/B		
Max. coolant temp.	40°C		
Max. altitude	1 000 mtr,	above sea level	
Comment			
Cable entries			

Efficiency class				
Load data	100%	75%	50%	
Efficiency	80,0	80,9	78,5	%
Power factor	0,70	0,60	0,45	
Sound pressure level (1m)			61,0	dB(A)
Resistance R ₂₀ (open)				Ω
Resistance R ₂₀				Ω
Locked rotor current Is/Ir			8,0	A
Locked rotor torque Ms/Mr			3,2	Nm
Torque			15,0	Nm
Torque max			4	Nm
Rotor inertia	J=GD ² /4			Kgm ²

Feature	Aluminium
Weight	61 kg

Bearing DE	6206 2RS/C3
Bearing NDE	6206 2RS/C3