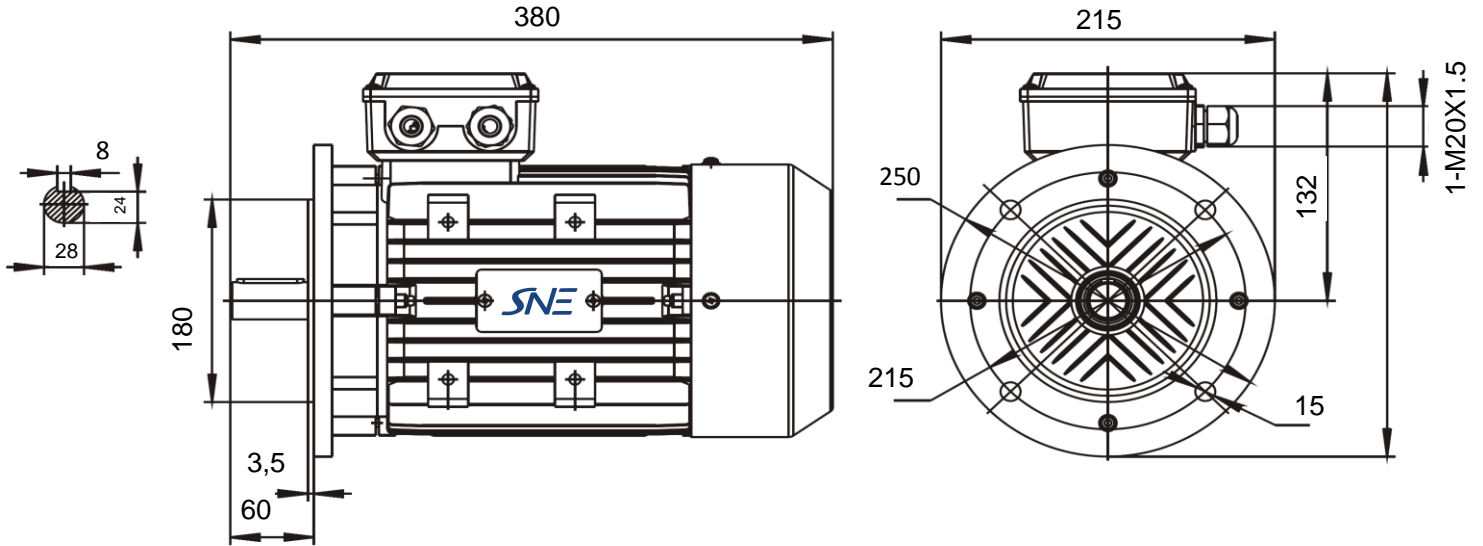


Réf: **MSHE-100L 2,2KW 4P B5**

B5



Specification	IEC 60034-1		
Manufacturer	SNE		
Motor type	SMHE-100L		
Rated power	2,2 kW	S1	duty
Speed	1430 r.p.m		
Voltage	230/400 V		
Frequency	50 Hz		
Connection			
230 V	8,38 A		
400 V	4,82 A		
Enclosure	IP 55		
Insulation Class	F/B		
Max. coolant temp.	40°C		
Max. altitude	1 000 mtr,	above sea level	
Comment			
Cable entries			
Feature	Aluminium		
Weight	26 kg		

Efficiency class				
Load data	100%	75%	50%	
Efficiency	84,5	84,6	83,7	%
Power factor	0,78	0,72	0,60	
Sound pressure level (1m)				64,0 dB(A)
Resistance R ₂₀ (open)				Ω
Resistance R ₂₀				Ω
Locked rotor current Is/Ir				7,0 A
Locked rotor torque Ms/Mr				3,5 Nm
Torque				14,4 Nm
Torque max				3 Nm
Rotor inertia	J=GD ² /4			Kgm ²

Bearing DE	6206 2RS/C3
Bearing NDE	6206 2RS/C3