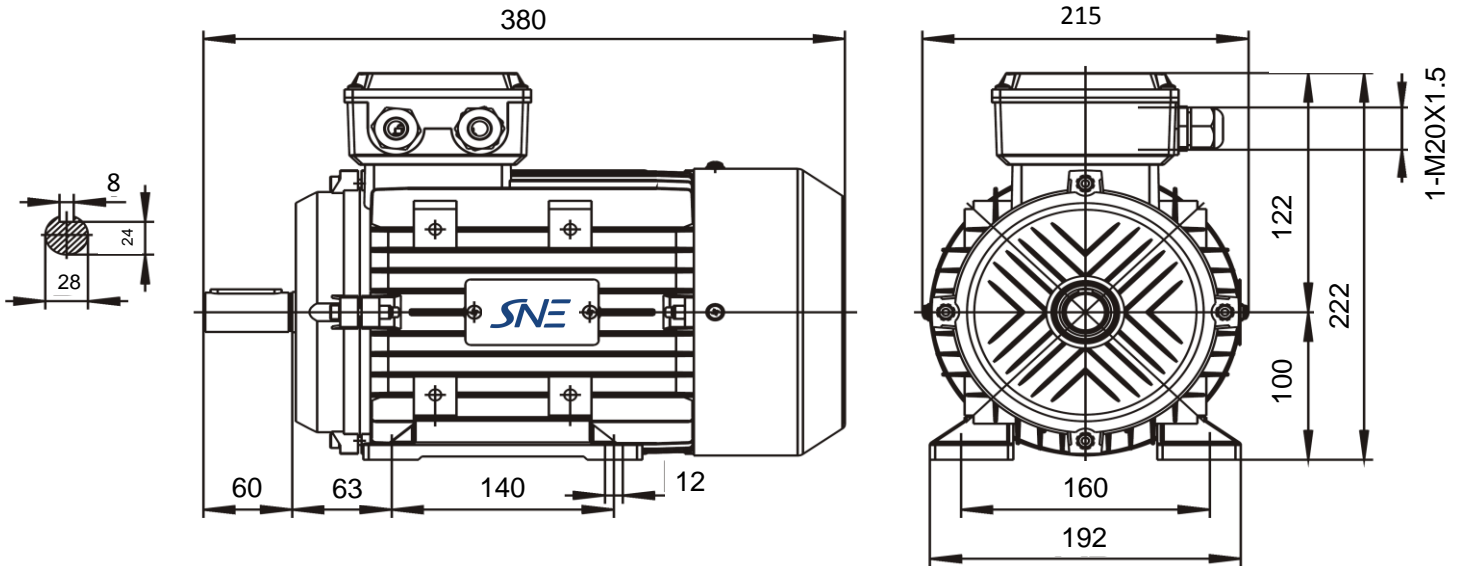


Réf: MSHE-100L 3KW 2P B3

B3



Specification	IEC 60034-1		
Manufacturer	SNE		
Motor type	MSHE-100L		
Rated power	3 kW	S1	duty
Speed	2887	r.p.m	
Voltage	230/400	V	
Frequency	50	Hz	
Connection			
230 V	10,22	A	
400 V	6	A	
Enclosure	IP 55		
Insulation Class	F/B		
Max. coolant temp.	40°C		
Max. altitude	1 000	mtr,	above sea level
Comment			
Cable entries			
Feature	Aluminium		
Weight	24	kg	

Efficiency class			
Load data	100%	75%	50%
Efficiency	84,7	84,6	82,8 %
Power factor	0,87	0,78	0,77
Sound pressure level (1m)			74,0 dB(A)
Resistance R ₂₀ (open)			Ω
Resistance R ₂₀			Ω
Locked rotor current Is/Ir			8,0 A
Locked rotor torque Ms/Mr			3,2 Nm
Torque			9,9 Nm
Torque max			4 Nm
Rotor inertia	J=GD ² /4	Kg ^m ²	
Bearing DE	6206 2RS/C3		
Bearing NDE	6206 2RS/C3		