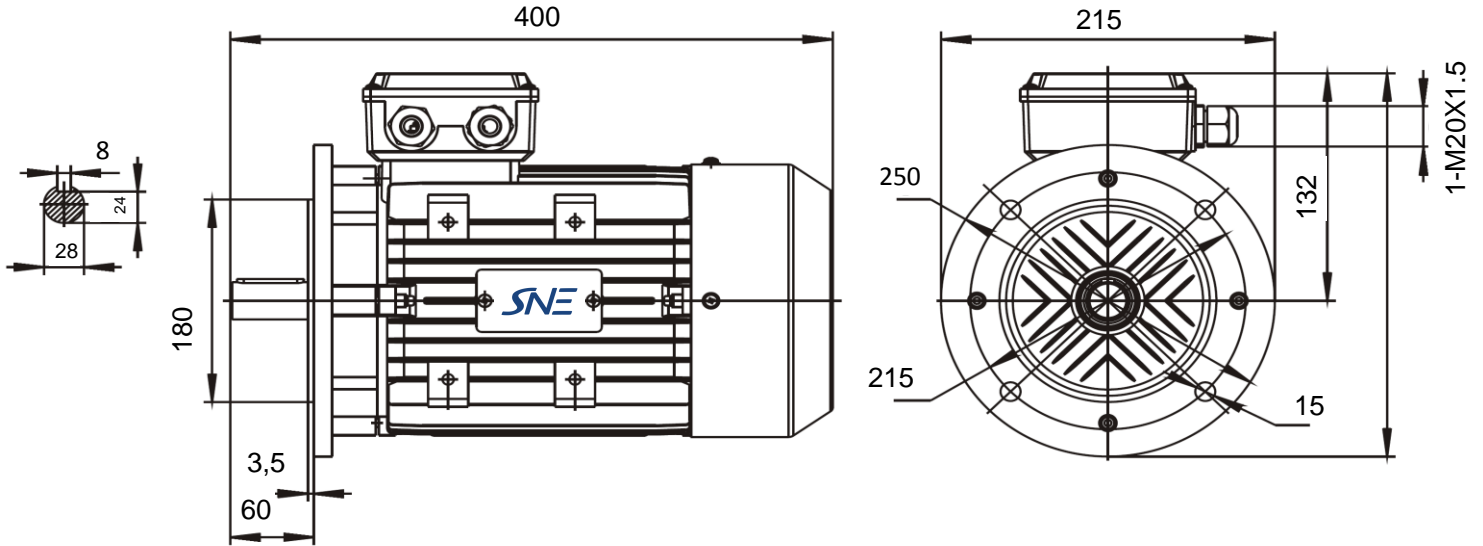


Réf: MSHE-100L 3KW 4P B5

B5



Specification	IEC 60034-1	
Manufacturer	SNE	
Motor type	MSHE-100L	
Rated power	3 kW	S1 duty
Speed	1431 r.p.m	
Voltage	230/400 V	
Frequency	50 Hz	
Connection		
230 V	11,29 A	
400 V	6,49 A	
Enclosure	IP 55	
Insulation Class	F/B	
Max. coolant temp.	40°C	
Max. altitude	1 000 mtr,	above sea level
Comment		
Cable entries		
Feature	Aluminium	
Weight	30,5 kg	

Efficiency class				
Load data	100%	75%	50%	
Efficiency	85,5	85,3	83,9	%
Power factor	0,78	0,72	0,60	
Sound pressure level (1m)				64,0 dB(A)
Resistance R ₂₀ (open)				Ω
Resistance R ₂₀				Ω
Locked rotor current Is/Ir				7,0 A
Locked rotor torque Ms/Mr				2,6 Nm
Torque				16,7 Nm
Torque max				3,3 Nm
Rotor inertia	J=GD ² /4			Kgm ²

Bearing DE	6206 2RS/C3
Bearing NDE	6206 2RS/C3