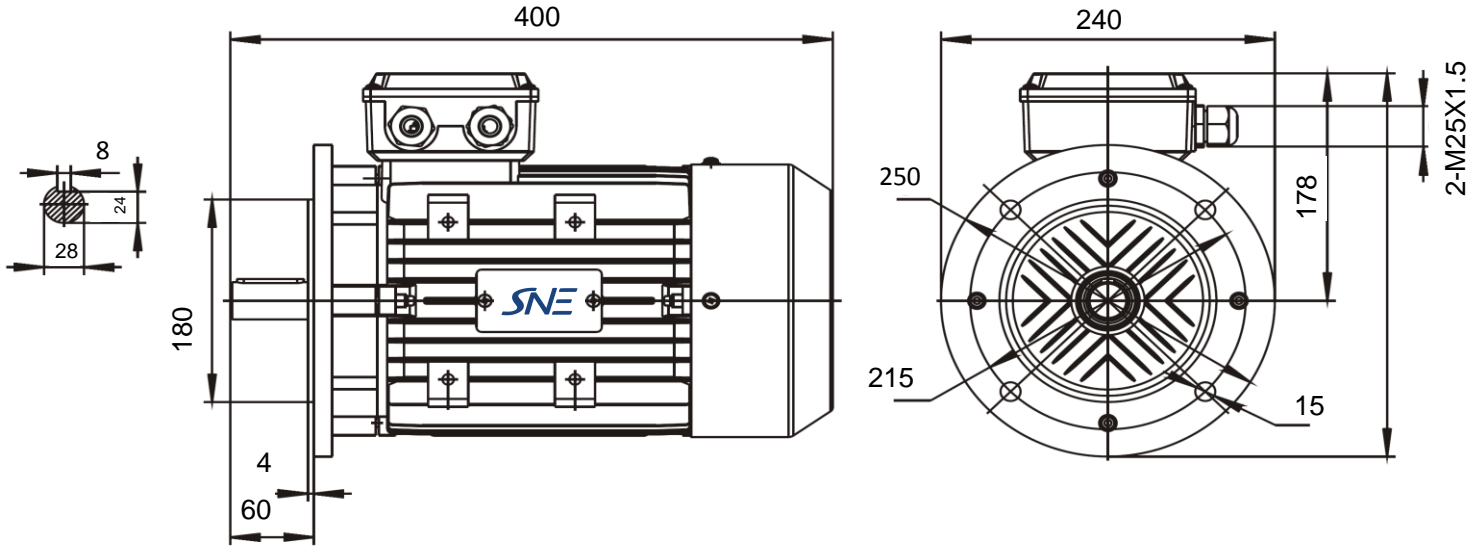


Réf: MSHE-112M 4KW 2P B5

B5



Specification	IEC 60034-1		
Manufacturer	SNE		
Motor type	MSHE-112M		
Rated power	4 kW	S1	duty
Speed	2905 r.p.m		
Voltage	230/400 V		
Frequency	50 Hz		
Connection			
230 V	13,27 A		
400 V	7,63 A		
690 V	4,42 A		
Enclosure	IP 55		
Insulation Class	F/B		
Max. coolant temp.	40°C		
Max. altitude	1 000 mtr,	above sea level	
Comment			
Cable entries			
Feature	Aluminium		
Weight	30,4 kg		

Efficiency class				
Load data	100%	75%	50%	
Efficiency	86,0	86,9	85,4	%
Power factor	0,88	0,84	0,77	
Sound pressure level (1m)				77,0 dB(A)
Resistance R ₂₀ (open)				Ω
Resistance R ₂₀				Ω
Locked rotor current Is/Ir				7,5 A
Locked rotor torque Ms/Mr				2,5 Nm
Torque				13,2 Nm
Torque max				3 Nm
Rotor inertia	J=GD ² /4			Kgm ²

Bearing DE **6306 2RS/C3**
 Bearing NDE **6306 2RS/C3**