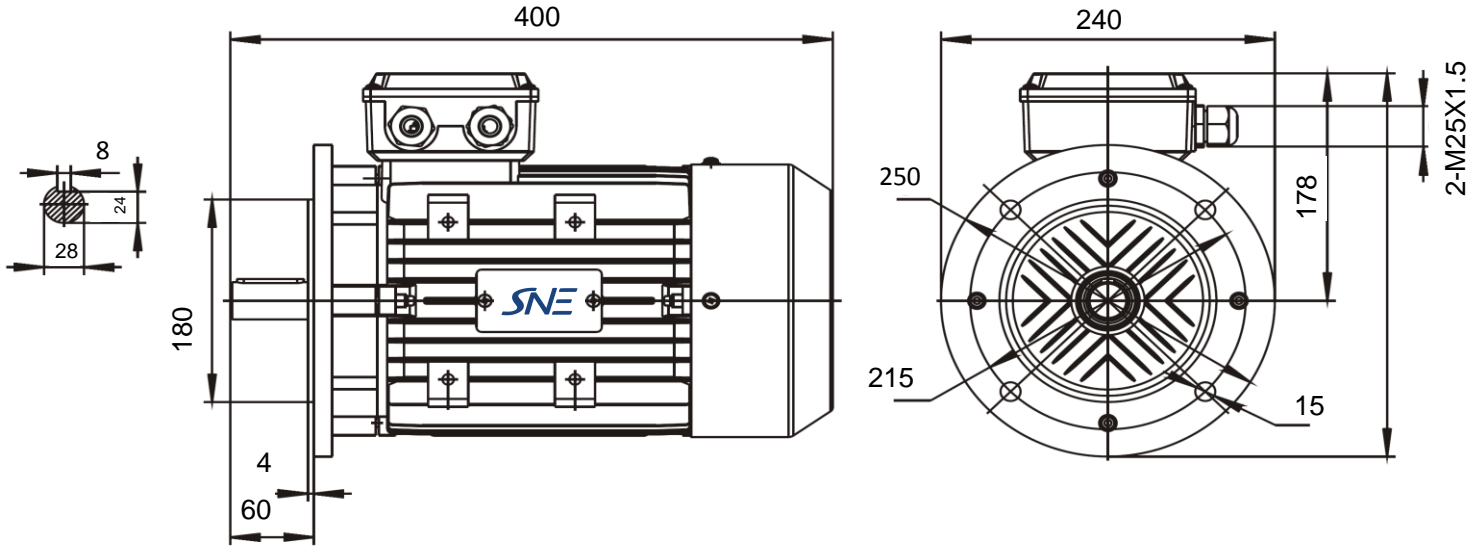


Réf: MSHE-112M 4KW 4P B5

B5



Specification	IEC 60034-1	
Manufacturer	SNE	
Motor type	MSHE112M	
Rated power	4 kW	S1 duty
Speed	1440 r.p.m	
Voltage	230/400 V	
Frequency	50 Hz	
Connection		
230 V	14,09 A	
400 V	8,1 A	
Enclosure	IP 55	
Insulation Class	F/B	
Max. coolant temp.	40°C	
Max. altitude	1 000 mtr,	above sea level
Comment		
Cable entries		
Feature	Aluminium	
Weight	39 kg	

Efficiency class				
Load data	100%	75%	50%	
Efficiency	86,9	87,8	86,9	%
Power factor	0,82	0,75	0,63	
Sound pressure level (1m)				65,0 dB(A)
Resistance R ₂₀ (open)				Ω
Resistance R ₂₀				Ω
Locked rotor current Is/Ir				7,5 A
Locked rotor torque Ms/Mr				3,5 Nm
Torque				26,3 Nm
Torque max				4 Nm
Rotor inertia	J=GD ² /4			Kgm ²

Bearing DE	6306 2RS/C3
Bearing NDE	6306 2RS/C3