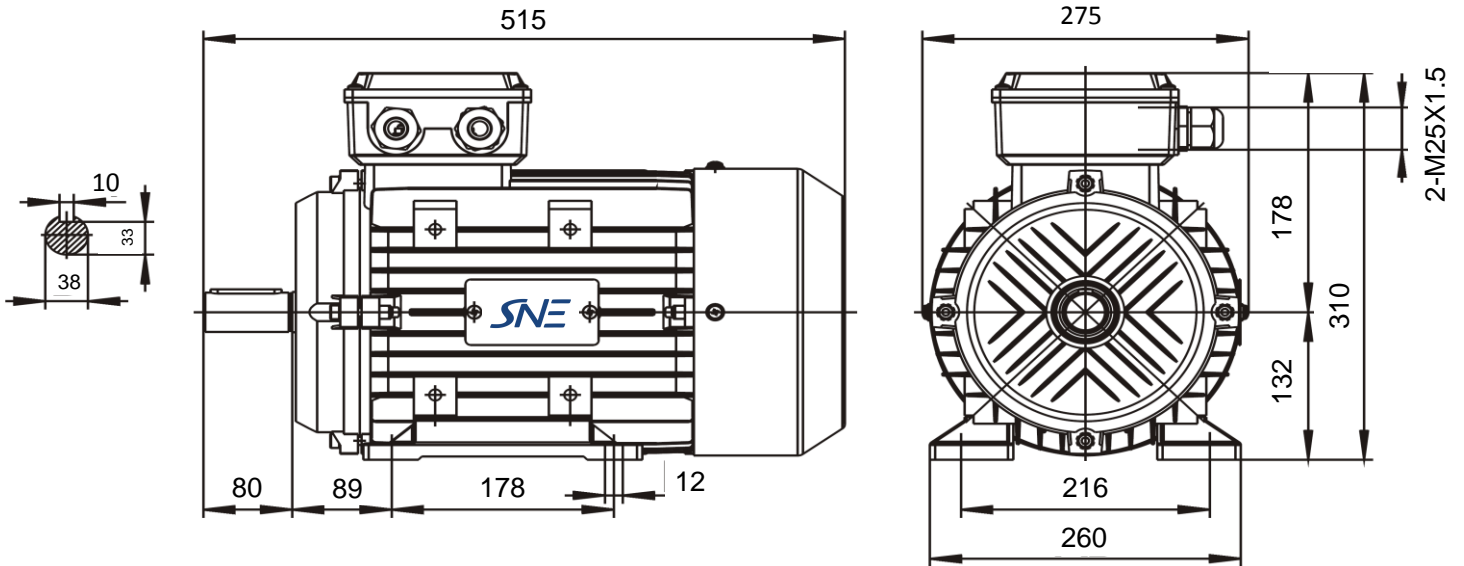


Réf: MSHE-132M 4KW 6P B3

B3



Specification	IEC 60034-1		
Manufacturer	SNE		
Motor type	MSHE132M		
Rated power	4 kW	S1	duty
Speed	970 r.p.m		
Voltage	400/690 V		
Frequency	50 Hz		
Connection			
230 V	16,96 A		
400 V	9,75 A		
690 V	5,65 A		
Enclosure	IP 55		
Insulation Class	F/B		
Max. coolant temp.	40°C		
Max. altitude	1 000 mtr,		above sea level
Comment			
Cable entries			
Feature	Aluminium		
Weight	51 kg		

Efficiency class				
Load data	100%	75%	50%	
Efficiency	84,6	84,5	82,4	%
Power factor	0,70	0,59	0,45	
Sound pressure level (1m)			69,0	dB(A)
Resistance R ₂₀ (open)				Ω
Resistance R ₂₀				Ω
Locked rotor current Is/Ir			7,5	A
Locked rotor torque Ms/Mr			2,4	Nm
Torque			39,2	Nm
Torque max			2,4	Nm
Rotor inertia	J=GD ² /4			Kgm ²
Bearing DE			6308 2RS/C3	
Bearing NDE			6208 2RS/C3	