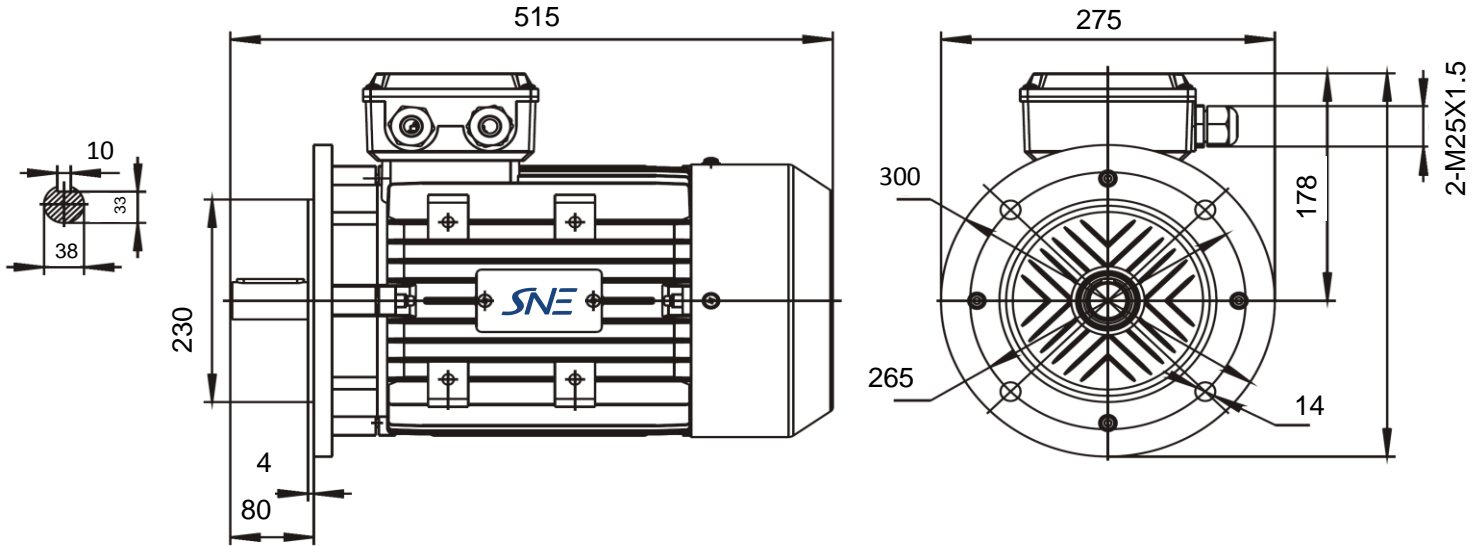


Réf: MSHE-132M 5,5KW 6P B5

B5



Specification	IEC 60034-1	
Manufacturer	SNE	
Motor type	MSHE132M	
Rated power	5,5 kW	S1 duty
Speed	970 r.p.m	
Voltage	400/690 V	
Frequency	50 Hz	
Connection		
230 V	21,99 A	
400 V	12,65 A	
690 V	7,33 A	
Enclosure	IP 55	
Insulation Class	F/B	
Max. coolant temp.	40°C	
Max. altitude	1 000 mtr, above sea level	
Comment		
Cable entries		
Feature	Aluminium	
Weight	61 kg	

Efficiency class				
Load data	100%	75%	50%	
Efficiency	86,0	85,9	84,7	%
Power factor	0,73	0,63	0,49	
Sound pressure level (1m)				69,0 dB(A)
Resistance R ₂₀ (open)				Ω
Resistance R ₂₀				Ω
Locked rotor current Is/Ir				7,5 A
Locked rotor torque Ms/Mr				2,4 Nm
Torque				53,9 Nm
Torque max				3,3 Nm
Rotor inertia	J=GD ² /4			Kgm ²
Bearing DE				6308 2RS/C3
Bearing NDE				6208 2RS/C3