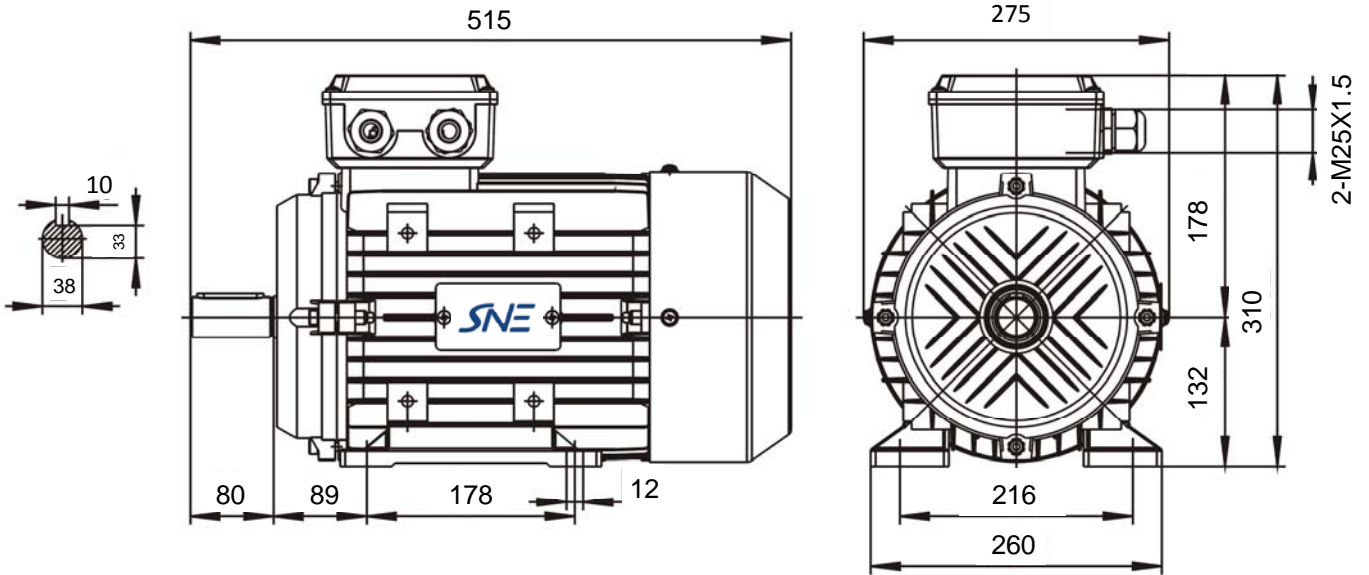


Réf: MSHE-132M 7,5KW 4P B3

B3



Specification	IEC 60034-1		
Manufacturer	SNE		
Motor type	MSHE132M		
Rated power	7,5 kW	S1	duty
Speed	1455 r.p.m		
Voltage	400/690 V		
Frequency	50 Hz		
Connection			
400 V	14,5	A	
690 V	8,4	A	
Enclosure	IP 55		
Insulation Class	F/B		
Max. coolant temp.	40°C		
Max. altitude	1 000	mtr,	above sea level
Comment			
Cable entries			
Feature	Aluminium		
Weight	64	kg	

Efficiency class			
Load data	100%		
Efficiency	88,7		
Power factor	0,84		
Sound pressure level (1m)	66,0		dB(A)
Resistance R ₂₀ (open)			Ω
Resistance R ₂₀			Ω
Locked rotor current	7,0		
Locked rotor torque	2,4		
Torque	49,2		
Torque max	3		
Rotor inertia	J=GD ² /4		Kgm ²
Bearing DE		6308 2RS/C3	
Bearing NDE		6208 2RS/C3	