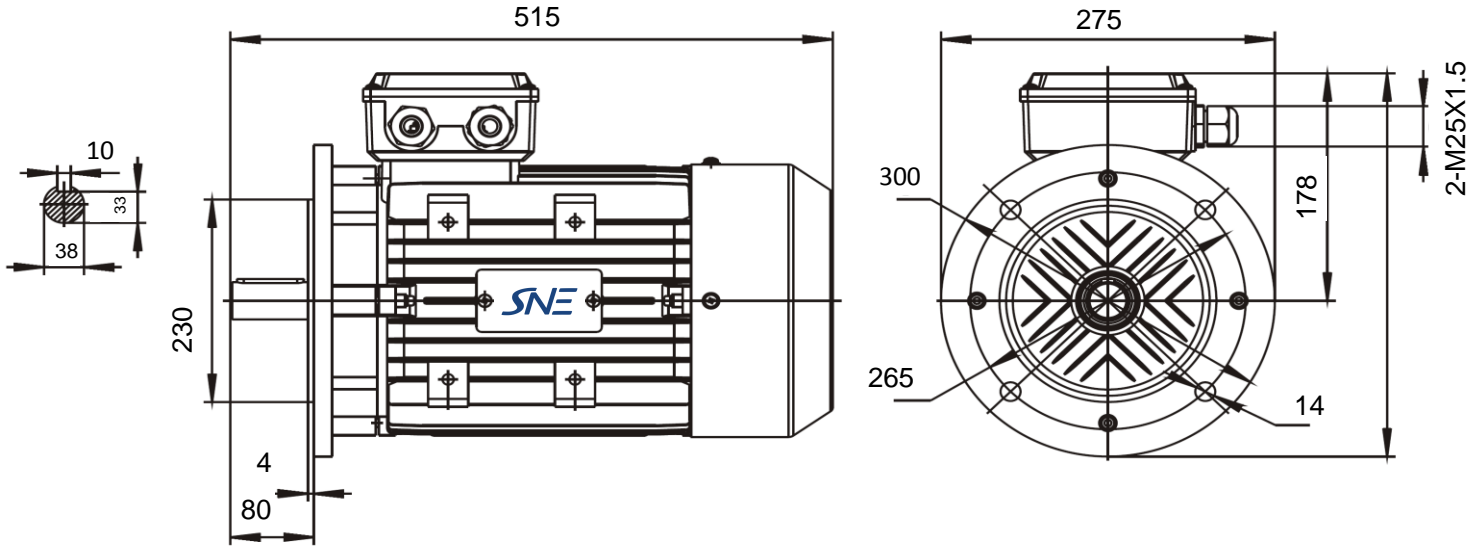


Réf: MSHE-132M 7,5KW 4P B5

B5



Specification	IEC 60034-1	
Manufacturer	SNE	
Motor type	MSHE132M	
Rated power	7,5 kW	S1 duty
Speed	1455 r.p.m	
Voltage	400/690 V	
Frequency	50 Hz	
Connection		
230 V	25,65 A	
400 V	14,83 A	
690 V	8,6 A	
Enclosure	IP 55	
Insulation Class	F/B	
Max. coolant temp.	40°C	
Max. altitude	1 000 mtr, above sea level	
Comment		
Cable entries		
Feature	Aluminium	
Weight	62 kg	

Efficiency class				
Load data	100%	75%	50%	
Efficiency	89,0	88,8	88,3	%
Power factor	0,82	0,75	0,63	
Sound pressure level (1m)				71,0 dB(A)
Resistance R ₂₀ (open)				Ω
Resistance R ₂₀				Ω
Locked rotor current Is/Ir				7,0 A
Locked rotor torque Ms/Mr				2,4 Nm
Torque				49,1 Nm
Torque max				3 Nm
Rotor inertia	J=GD ² /4			Kgm ²

Bearing DE **6308 2RS/C3**
 Bearing NDE **6208 2RS/C3**