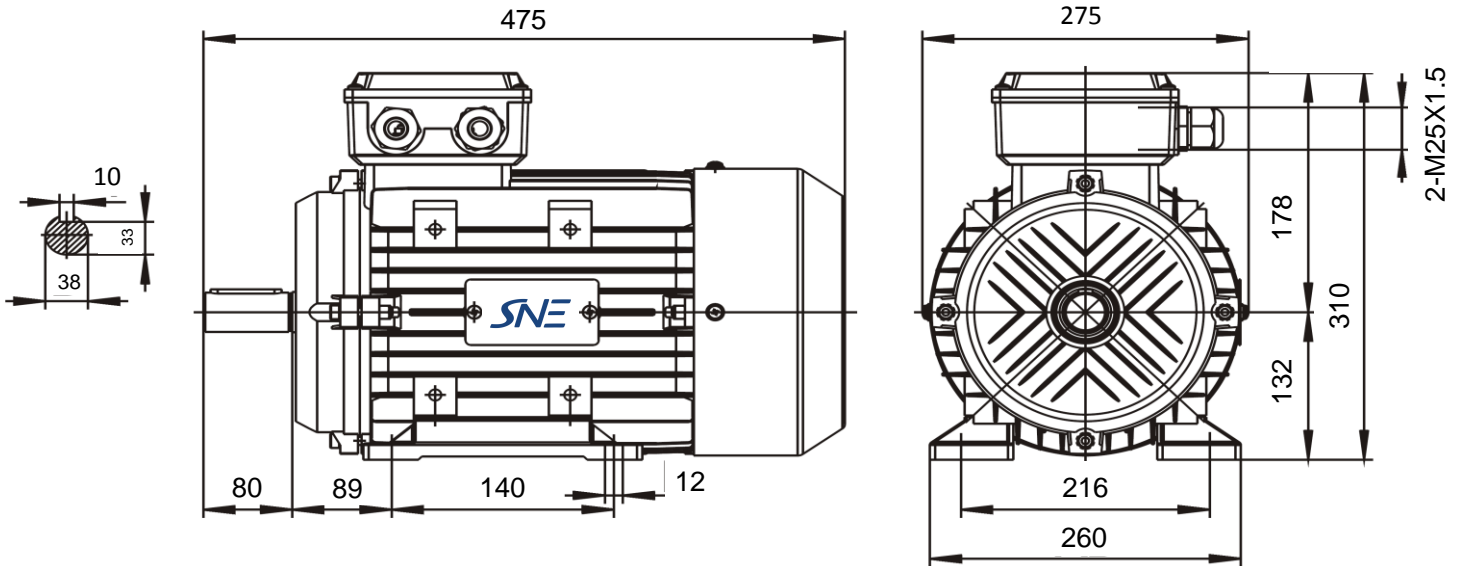


Réf: **MSHES-132S1** **5,5KW 2P B3**

B3



Specification	IEC 60034-1		
Manufacturer	SNE		
Motor type	MSHE-132S1		
Rated power	5,5	kW	S1 duty
Speed	2909	r.p.m	
Voltage	400/690	V	
Frequency	50	Hz	
Connection			
230 V	18,3	A	
400 V	10,37	A	
690 V	6,01	A	
Enclosure	IP 55		
Insulation Class	F/B		
Max. coolant temp.	40°C		
Max. altitude	1 000	mtr, above sea level	
Comment			
Cable entries			
Feature	Aluminium		
Weight	46	kg	

Efficiency class				
Load data	100%	75%	50%	
Efficiency	87,0	86,2	84,8	%
Power factor	0,88	0,84	0,77	
Sound pressure level (1m)			79,0	dB(A)
Resistance R ₂₀ (open)				Ω
Resistance R ₂₀				Ω
Locked rotor current Is/Ir			7,5	A
Locked rotor torque Ms/Mr			2,7	Nm
Torque			17,9	Nm
Torque max			3,5	Nm
Rotor inertia	J=GD ² /4			Kgm ²
Bearing DE			6308 2RS/C3	
Bearing NDE			6208 2RS/C3	