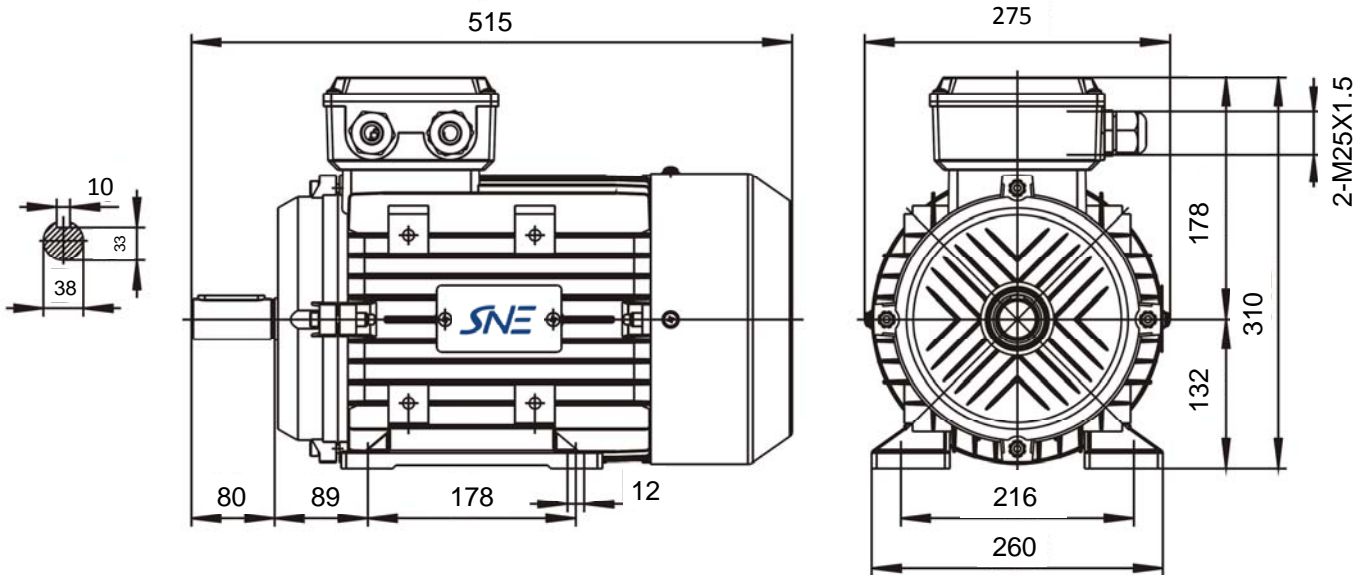


Réf: MSHE-132S2 7,5KW 2P B3

## B3



Specification	<b>IEC 60034-1</b>		
Manufacturer	<b>SNE</b>		
Motor type	<b>MSHE-132S2</b>		
Rated power	<b>7,5</b> kW	<b>S1</b>	duty
Speed	<b>2940</b> r.p.m		
Voltage	<b>400/690</b> V		
Frequency	<b>50</b> Hz		
Connection			
400 V	<b>13,9</b> A		
690 V	<b>8</b> A		
Enclosure	<b>IP 55</b>		
Insulation Class	<b>F/B</b>		
Max. coolant temp.	<b>40°C</b>		
Max. altitude	<b>1 000</b> mtr,		above sea level
Comment			
Cable entries			
Feature	<b>Aluminium</b>		
Weight	<b>53</b> kg		

Efficiency class			
Load data	100%		
Efficiency	<b>88,1</b>		
Power factor	<b>0,88</b>		
Sound pressure level (1m)	<b>73,0</b>		dB(A)
Resistance R <sub>20</sub> (open)			Ω
Resistance R <sub>20</sub>			Ω
Locked rotor Current	<b>7,5</b>		
Locked rotor Torque	<b>2,4</b>		
Torque	<b>24,6</b>		
Torque max	<b>3,3</b>		
Rotor inertia	J=GD <sup>2</sup> /4		Kgm <sup>2</sup>
Bearing DE	<b>6308 2RS/C3</b>		
Bearing NDE	<b>6208 2RS/C3</b>		