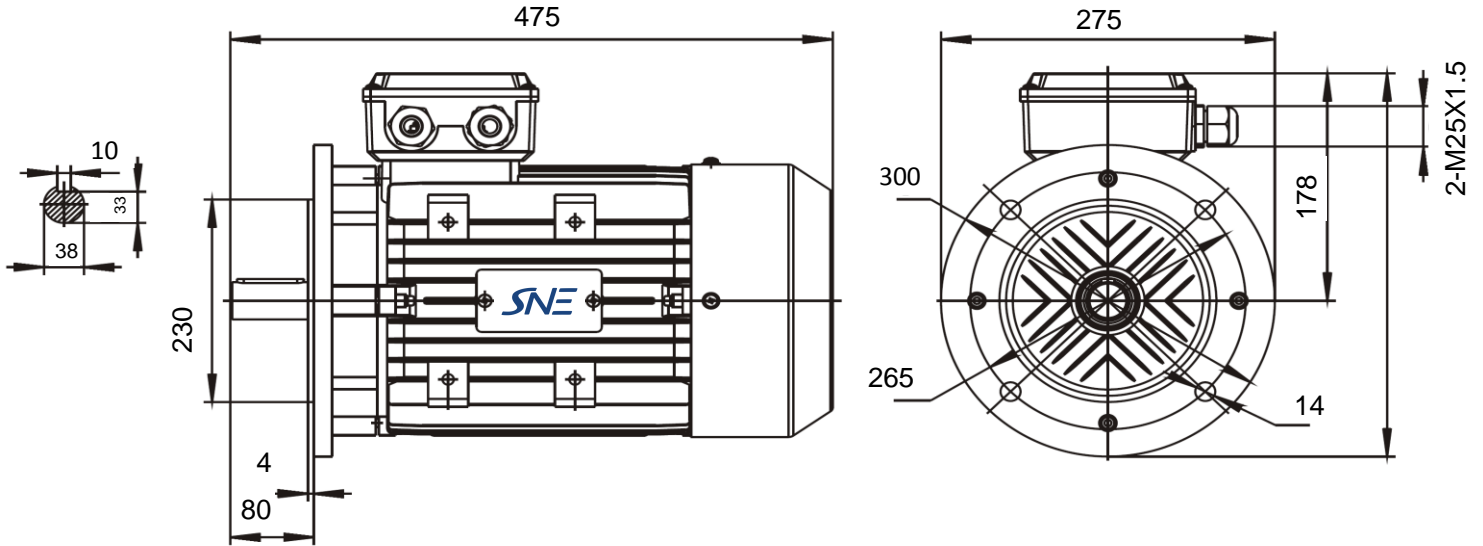


Réf: MSHE-132S1 5,5KW 2P B5

B5



Specification	IEC 60034-1		
Manufacturer	SNE		
Motor type	MSHE-132S1		
Rated power	5,5 kW	S1	duty
Speed	2909 r.p.m		
Voltage	400/690 V		
Frequency	50 Hz		
Connection			
230 V	18,03 A		
400 V	10,37 A		
690 V	6,01 A		
Enclosure	IP 55		
Insulation Class	F/B		
Max. coolant temp.	40°C		
Max. altitude	1 000 mtr,	above sea level	
Comment			
Cable entries			
Feature	Aluminium		
Weight	46 kg		

Efficiency class				
Load data	100%	75%	50%	
Efficiency	87,0	86,2	84,8	%
Power factor	0,88	0,84	0,77	
Sound pressure level (1m)				79,0 dB(A)
Resistance R ₂₀ (open)				Ω
Resistance R ₂₀				Ω
Locked rotor current Is/Ir				7,5 A
Locked rotor torque Ms/Mr				2,7 Nm
Torque				17,9 Nm
Torque max				3,5 Nm
Rotor inertia	J=GD ² /4			Kgm ²
Bearing DE				6308 2RS/C3
Bearing NDE				6208 2RS/C3