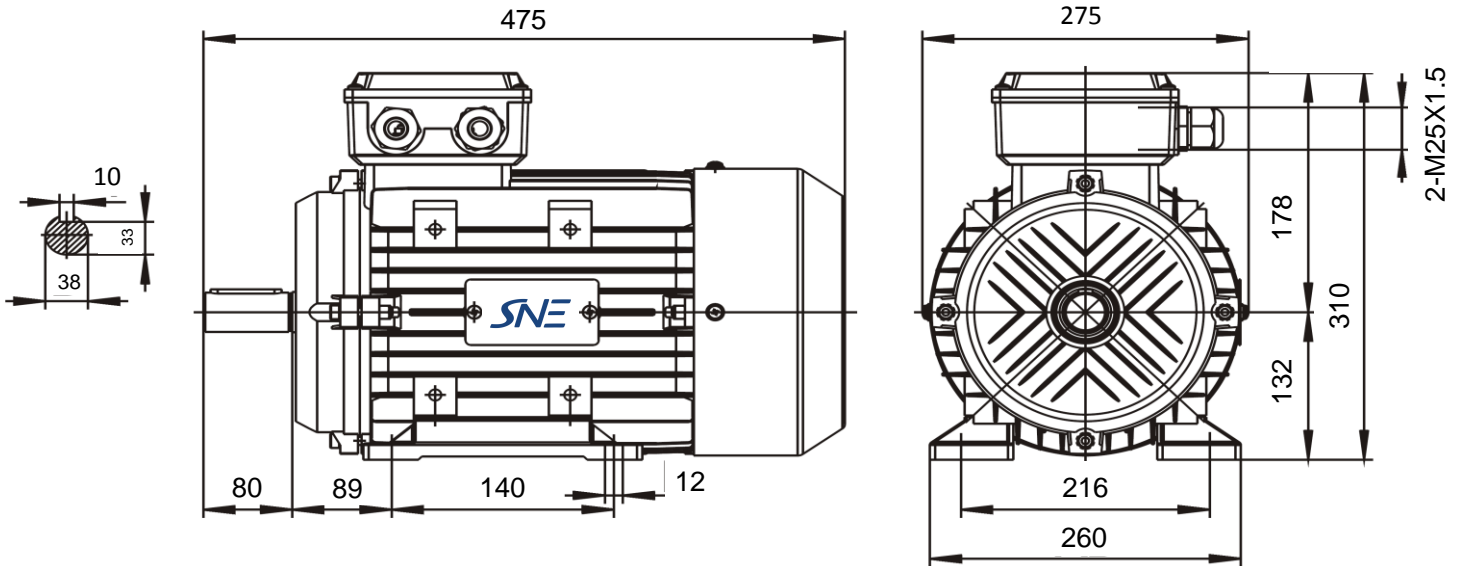


Réf: **MSHE132S** 5,5KW 4P B3

B3



Specification	IEC 60034-1		
Manufacturer	SNE		
Motor type	MSHE-132S		
Rated power	5,5 kW	S1	duty
Speed	1453 r.p.m		
Voltage	400/690 V		
Frequency	50 Hz		
Connection			
230 V	19,86 A		
400 V	11,42 A		
690 V	6,6 A		
Enclosure	IP 55		
Insulation Class	F/B		
Max. coolant temp.	40°C		
Max. altitude	1 000 mtr,	above sea level	
Comment			
Cable entries			
Feature	Aluminium		
Weight	52 kg		

Efficiency class				
Load data	100%	75%	50%	
Efficiency	88,0	87,7	86,9	%
Power factor	0,79	0,73	0,62	
Sound pressure level (1m)			71,0	dB(A)
Resistance R ₂₀ (open)				Ω
Resistance R ₂₀				Ω
Locked rotor current Is/Ir			6,4	A
Locked rotor torque Ms/Mr			2,2	Nm
Torque			36,0	Nm
Torque max			2,8	Nm
Rotor inertia	J=GD ² /4			Kgm ²
Bearing DE			6308 2RS/C3	
Bearing NDE			6208 2RS/C3	