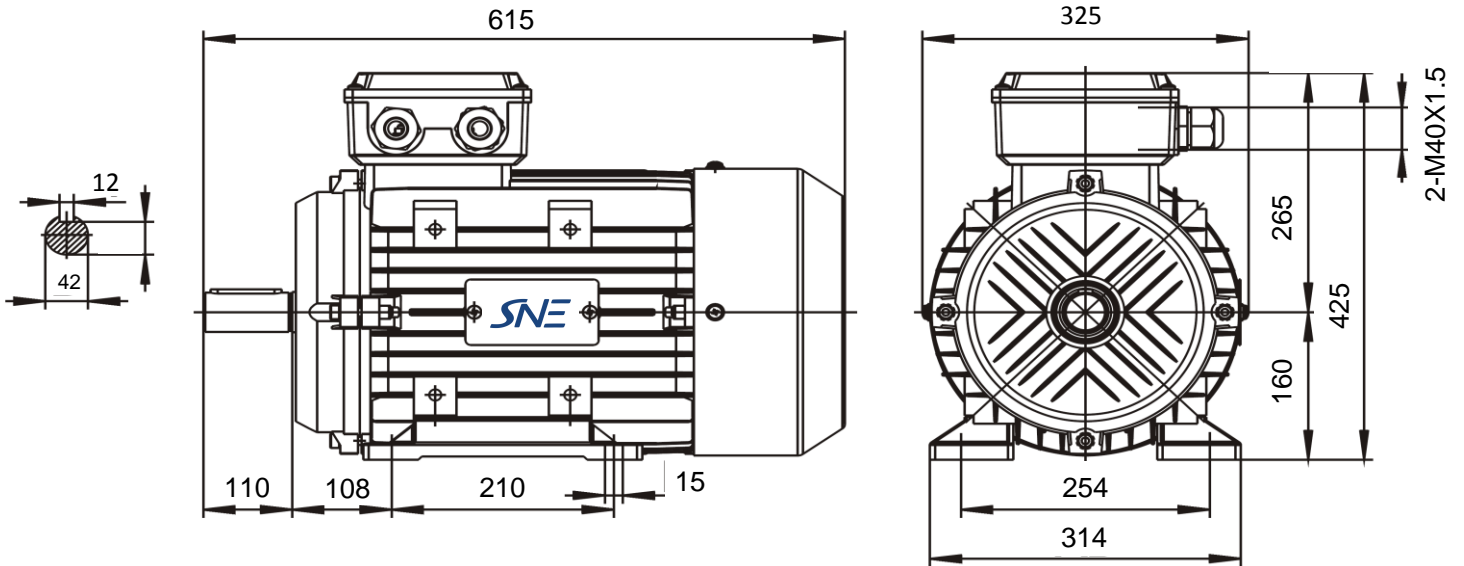


Réf: **MSHE-160L 11KW 6P B3**

B3



Specification	IEC 60034-1		
Manufacturer	SNE		
Motor type	MSHE-160L		
Rated power	11	kW	S1 duty
Speed	970	r.p.m	
Voltage	400/690	V	
Frequency	50	Hz	
Connection			
400 V	22,7	A	
690 V	13,1	A	
Enclosure	IP 55		
Insulation Class	F/B		
Max. coolant temp.	40°C		
Max. altitude	1 000	mtr, above sea level	
Comment			
Cable entries			
Feature	Aluminium		
Weight	113	kg	

Efficiency class				
Load data	100%	75%	50%	
Efficiency	89,7	89,8	89,2	%
Power factor	0,78	0,67	0,54	
Sound pressure level (1m)			73,0	dB(A)
Resistance R ₂₀ (open)				Ω
Resistance R ₂₀				Ω
Locked rotor current Is/Ir			6,4	A
Locked rotor torque Ms/Mr			2,0	Nm
Torque			107,2	Nm
Torque max			2,3	Nm
Rotor inertia	J=GD ² /4			Kgm ²
Bearing DE			6209 2RS/C3	
Bearing NDE			6209 2RS/C3	