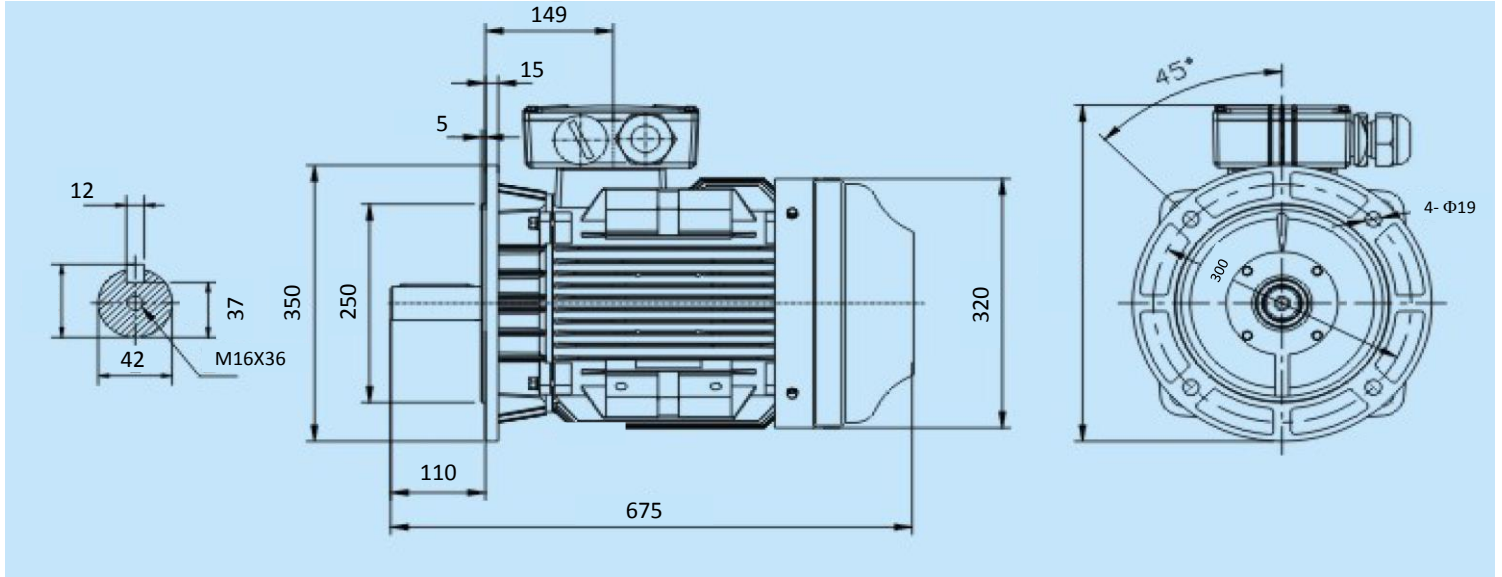


Réf: YE2-160L-2P 18,5KW 2P B5



Specification	IEC 60034-1	Efficiency class			
Manufacturer	SNE	Load data	100%	75%	50%
Motor type	MSHE160L	Efficiency	89,8	89,7	89,2 %
Rated power	11 kW S1 duty	Power factor	0,78	0,68	0,54
Speed	980 r.p.m	Sound pressure level (1m)		73,0	dB(A)
Voltage	400/690 V	Resistance R ₂₀ (open)			Ω
Frequency	50 Hz	Resistance R ₂₀			Ω
Connection		Locked rotor current Is/Ir		6,7	A
230 V	A	Locked rotor torque Ms/Mr		2,1	Nm
400 V	22,7 A	Torque		107,2	Nm
690 V	13,1 A	Torque max		2,1	Nm
Enclosure	IP 55	Rotor inertia	J=GD ² /4		Kgm ²
Insulation Class	F/B				
Max. coolant temp.	40°C				
Max. altitude	1 000 mtr, above sea level				
Comment					
Cable entries					
Feature	Aluminium	Bearing DE		6209 2RS/C3	
Weight	113 kg	Bearing NDE		6209 2RS/C3	