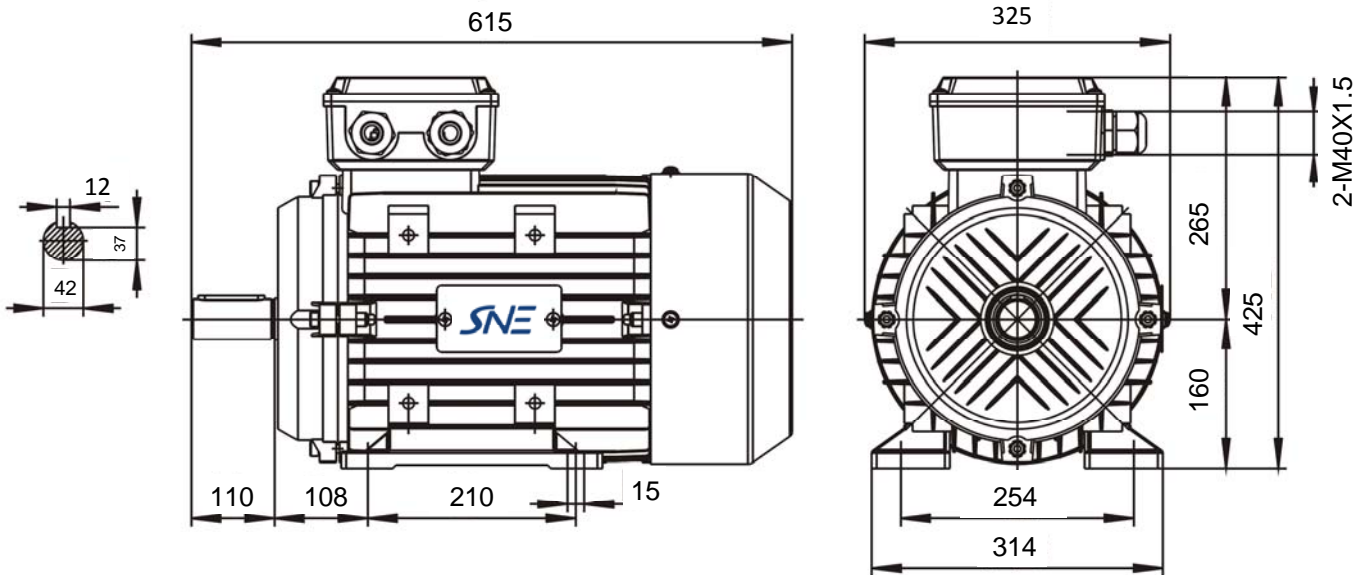


**Réf: MSHE-160M1 11KW 2P B3**

**B3**



Specification	<b>IEC 60034-1</b>		Efficiency class		
Manufacturer	<b>SNE</b>		Load data	100%	
Motor type	<b>MSHE-160M1</b>		Efficiency	<b>89,4</b>	
Rated power	<b>11</b>	kW	Power factor	<b>0,89</b>	
Speed	<b>2930</b>	r.p.m	Sound pressure level (1m)	<b>73,0</b>	dB(A)
Voltage	<b>400/690</b>	V	Resistance R <sub>20</sub> (open)		Ω
Frequency	<b>50</b>	Hz	Resistance R <sub>20</sub>		Ω
Connection			Locked rotor current	<b>7,6</b>	
400 V	<b>20</b>	A	Locked rotor torque	<b>2,2</b>	
690 V	<b>11,5</b>	A	Torque	<b>35,9</b>	
Enclosure	<b>IP 55</b>		Torque max	<b>2,9</b>	
Insulation Class	<b>F/B</b>		Rotor inertia	J=GD <sup>2</sup> /4	Kgm <sup>2</sup>
Max. coolant temp.	<b>40°C</b>		Bearing DE	<b>6209 2RS/C3</b>	
Max. altitude	<b>1 000</b>	mtr, above sea level	Bearing NDE	<b>6209 2RS/C3</b>	
Comment					
Cable entries					
Feature	<b>Aluminium</b>				
Weight	<b>96</b>	kg			