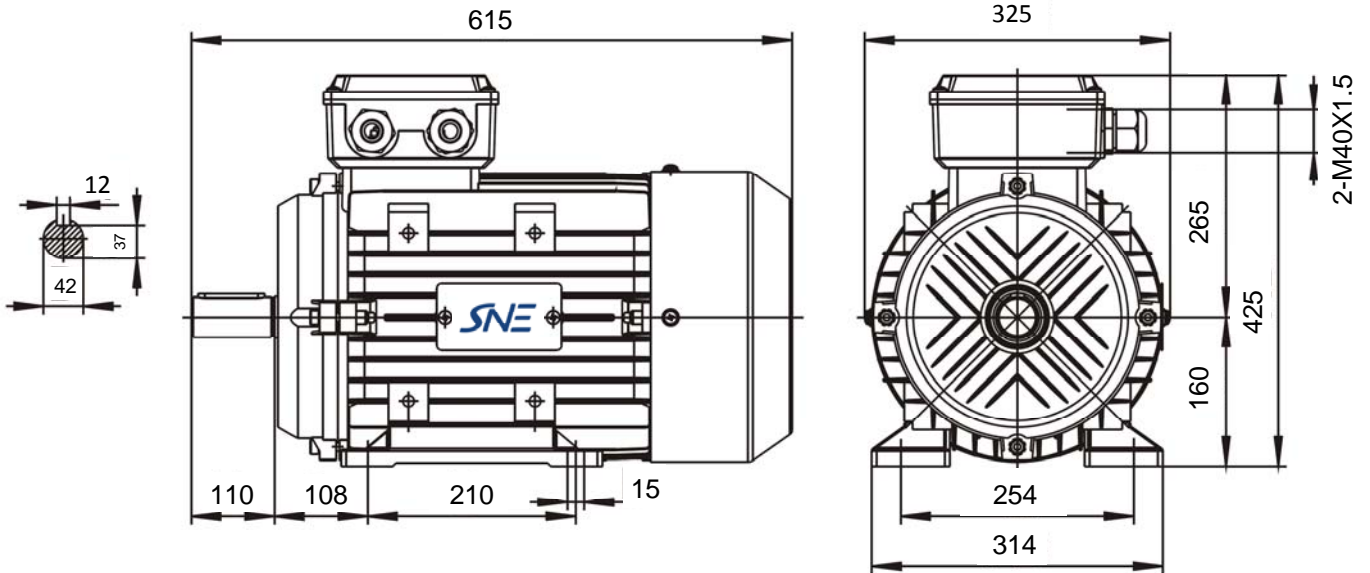


Réf: **MSHE-160M 11KW 4P B3**

B3



Specification	IEC 60034-1		
Manufacturer	SNE		
Motor type	MSHE160M		
Rated power	11	kW	S1 duty
Speed	1460	r.p.m	
Voltage	400/690	V	
Frequency	50	Hz	
Connection			
230 V	35,6	A	
400 V	20,8	A	
690 V	12	A	
Enclosure	IP 55		
Insulation Class	F/B		
Max. coolant temp.	40°C		
Max. altitude	1 000	mtr,	above sea level
Comment			
Cable entries			
Feature	Aluminium		
Weight	99	kg	

Efficiency class			
Load data	100%		
Efficiency	89,8		
Power factor	0,84		
Sound pressure level (1m)	66,0		dB(A)
Resistance R ₂₀ (open)			Ω
Resistance R ₂₀			Ω
Locked rotor current	6,9		
Locked rotor torque	2,5		
Torque	71,9		
Torque max	2,9		
Rotor inertia	J=GD ² /4		Kgm ²
Bearing DE	6209 2RS/C3		
Bearing NDE	6209 2RS/C3		