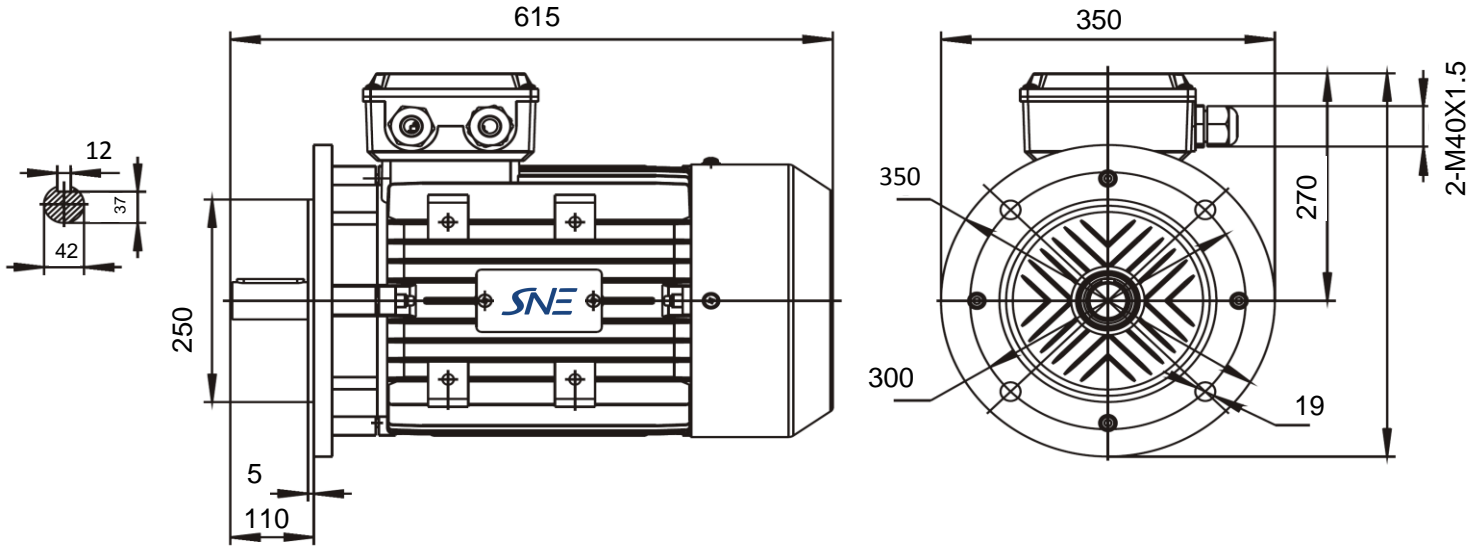


Réf: MSHE-160M 11KW 4P B5

B5



Specification	IEC 60034-1		
Manufacturer	SNE		
Motor type	MSHE160M		
Rated power	11	kW	S1 duty
Speed	1460	r.p.m	
Voltage	400/690	V	
Frequency	50	Hz	
Connection			
230 V	35,6	A	
400 V	20,8	A	
690 V	12	A	
Enclosure	IP 55		
Insulation Class	F/B		
Max. coolant temp.	40°C		
Max. altitude	1 000	mtr, above sea level	
Comment			
Cable entries			
Feature	Aluminium		
Weight	84	kg	

Efficiency class				
Load data	100%	75%	50%	
Efficiency	89,8	89,6	88,8	%
Power factor	0,84	0,78	0,64	
Sound pressure level (1m)				73,0 dB(A)
Resistance R ₂₀ (open)				Ω
Resistance R ₂₀				Ω
Locked rotor current Is/Ir				6,9 A
Locked rotor torque Ms/Mr				2,1 Nm
Torque				71,5 Nm
Torque max				2,8 Nm
Rotor inertia	J=GD ² /4			Kgm ²
Bearing DE				6209 2RS/C3
Bearing NDE				6209 2RS/C3