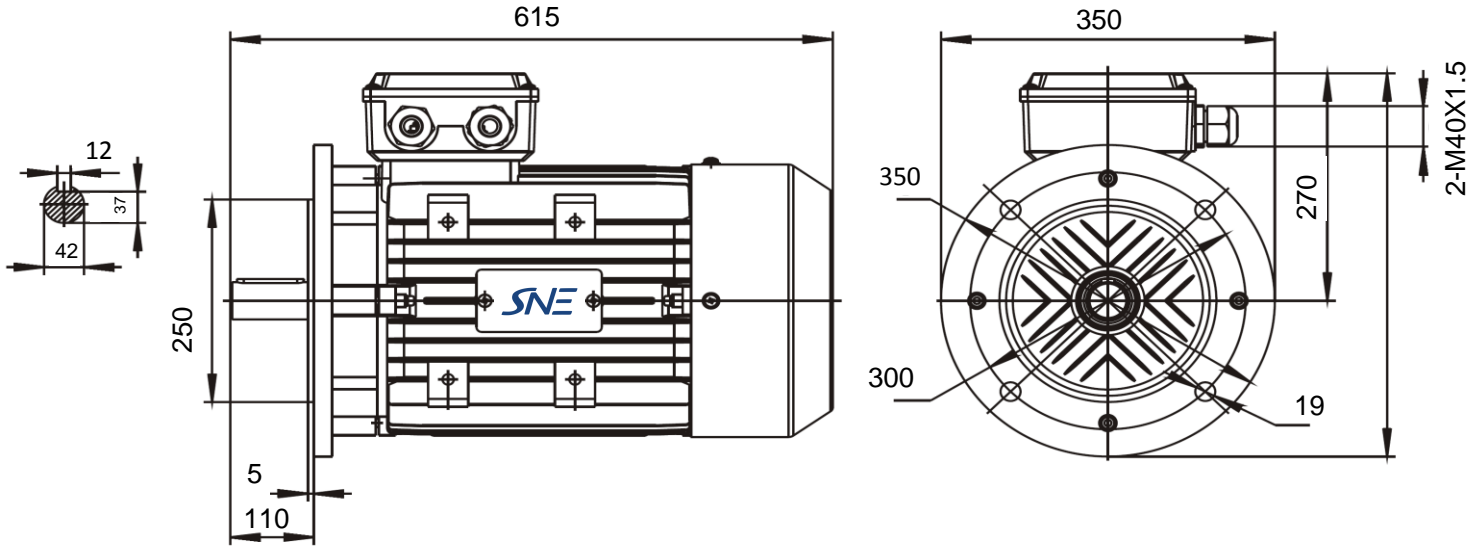


Réf: MSHE-160M 7,5KW 6P B5

B5



Specification	IEC 60034-1		
Manufacturer	SNE		
Motor type	MSHE160M		
Rated power	7,5	kW	S1 duty
Speed	980	r.p.m	
Voltage	400/690	V	
Frequency	50	Hz	
Connection			
230 V		A	
400 V	15,9	A	
690 V	9,2	A	
Enclosure	IP 55		
Insulation Class	F/B		
Max. coolant temp.	40°C		
Max. altitude	1 000	mtr, above sea level	
Comment			
Cable entries			
Feature	Aluminium		
Weight	111	kg	

Efficiency class				
Load data	100%	75%	50%	
Efficiency	89,5	89,3	88,8	%
Power factor	0,78	0,68	0,54	
Sound pressure level (1m)			73,0	dB(A)
Resistance R ₂₀ (open)				Ω
Resistance R ₂₀				Ω
Locked rotor current Is/Ir			6,7	A
Locked rotor torque Ms/Mr			2,1	Nm
Torque			73,1	Nm
Torque max			2,1	Nm
Rotor inertia	J=GD ² /4			Kgm ²
Bearing DE			6209 2RS/C3	
Bearing NDE			6209 2RS/C3	