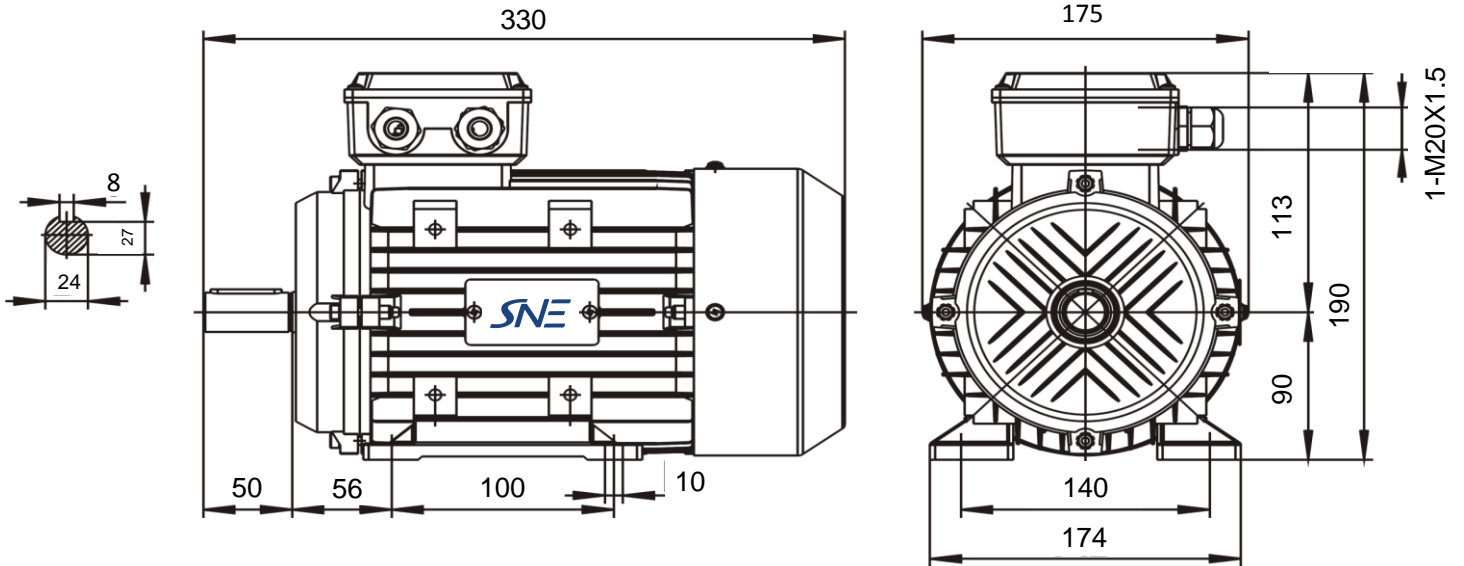


Réf: MSHE-80A 0,75KW 2P B3

B3



Specification	IEC 60034-1		
Manufacturer	SNE		
Motor type	MSHE-80A		
Rated power	0,75	KW	S1 duty
Speed	2850	r.p.m	
Voltage	230/400	V	
Frequency	50	Hz	
Connection			
230V	3	A	
400V	1,72	A	
Enclosure	IP 55		
Insulation Class	F/B		
Max. coolant temp.	40°C		
Max. altitude	1 000	mtr, above sea level	
Comment			
Cable entries			
Feature	Aluminium		
Weight	9	kg	

Efficiency class				
Load data	100%	75%	50%	
Efficiency	77,5	77,1	74,7	%
Power factor	0,81	0,70	0,55	%
Sound pressure level (1m)			62,0	dB(A)
Resistance R ₂₀ (open)				Ω
Resistance R ₂₀				Ω
Locked rotor current Is/Ir			5,3	A
Locked rotor torque Ms/Mr			2,5	Nm
Torque			2,5	Nm
Torque max			3	Nm
Rotor inertia	J=GD ² /4		0,001	Kgm ²

Bearing DE	6204 2RS/C3
Bearing NDE	6204 2RS/C3