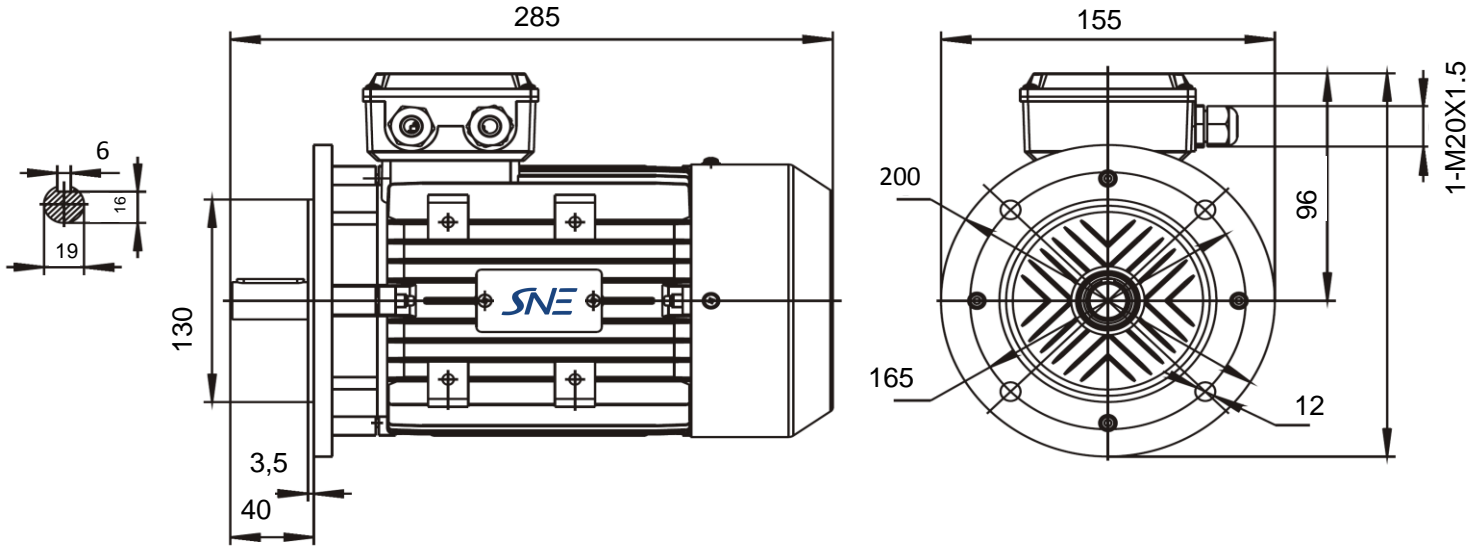


Réf: MSHE-801 0,75KW 2P B5

B5



Specification	IEC 60034-1		
Manufacturer	SNE		
Motor type	MSHE-801		
Rated power	0,75 kW	S1	duty
Speed	2850 r.p.m		
Voltage	230/400 V		
Frequency	50 Hz		
Connection			
230 V	3	A	
400 V	2	A	
Enclosure	IP 55		
Insulation Class	F/B		
Max. coolant temp.	40°C		
Max. altitude	1 000	mtr,	above sea level
Comment			
Cable entries			
Feature	Aluminium		
Weight	9	kg	

Efficiency class				
Load data	100%	75%	50%	
Efficiency	77,5	77,1	74,7	%
Power factor	0,81	0,70	0,55	
Sound pressure level (1m)			62,0	dB(A)
Resistance R ₂₀ (open)				Ω
Resistance R ₂₀				Ω
Locked rotor current Is/Ir			5,3	A
Locked rotor torque Ms/Mr			2,5	Nm
Torque			2,5	Nm
Torque max			3	Nm
Rotor inertia	J=GD ² /4			Kgm ²

Bearing DE **6204 2RS/C3**
 Bearing NDE **6204 2RS/C3**