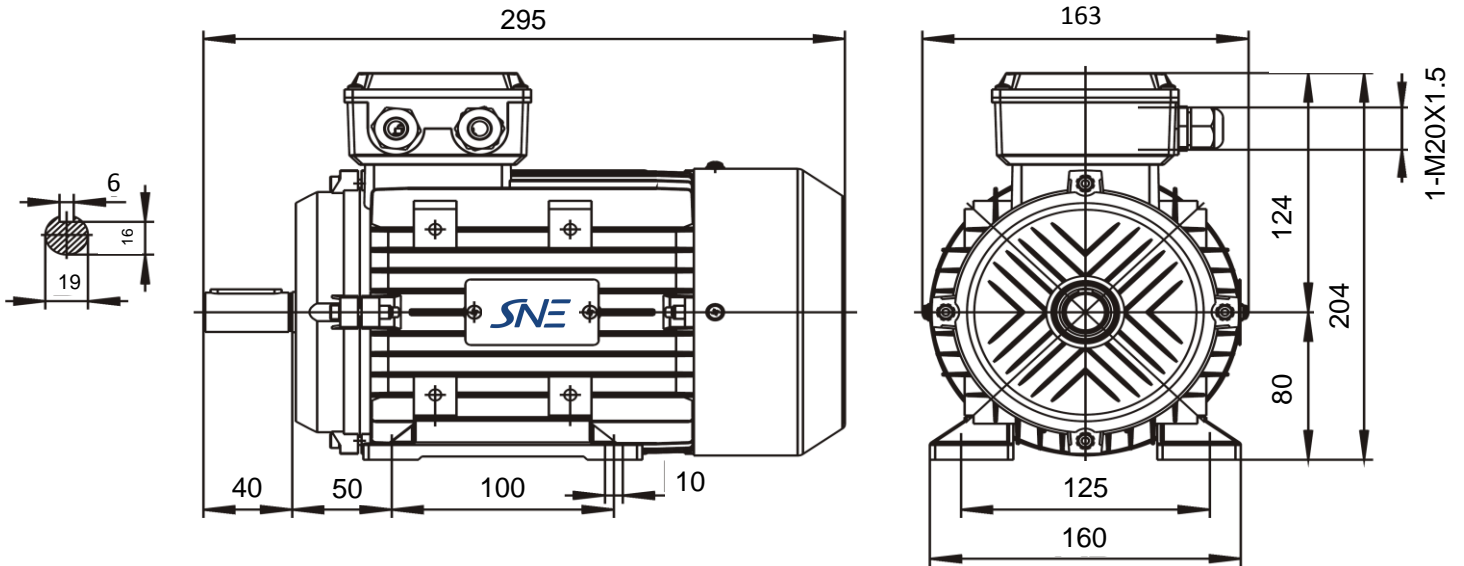


**Réf: MSHE-802 0,75KW 4P B3**

**B3**



Specification	<b>IEC 60034-1</b>
Manufacturer	<b>SNE</b>
Motor type	<b>MSHE802</b>
Rated power	<b>0,75</b> kW <b>S1</b> duty
Speed	<b>1380</b> r.p.m
Voltage	<b>230/400</b> V
Frequency	<b>50</b> Hz
Connection	
230 V	A
400 V	A
Enclosure	<b>IP 55</b>
Insulation Class	<b>F/B</b>
Max. coolant temp.	<b>40°C</b>
Max. altitude	<b>1 000</b> mtr, above sea level
Comment	
Cable entries	
Feature	<b>Aluminium</b>
Weight	kg

Efficiency class				
Load data	100%	75%	50%	
Efficiency	<b>79,6</b>	<b>79,2</b>	<b>78,4</b>	%
Power factor	<b>0,75</b>	<b>0,71</b>	<b>0,58</b>	
Sound pressure level (1m)				<b>56,0</b> dB(A)
Resistance R <sub>20</sub> (open)				Ω
Resistance R <sub>20</sub>				Ω
Locked rotor current Is/Ir				<b>2,9</b> A
Locked rotor torque Ms/Mr				<b>2,4</b> Nm
Torque				<b>5,0</b> Nm
Torque max				<b>2,4</b> Nm
Rotor inertia	J=GD <sup>2</sup> /4			Kgm <sup>2</sup>

Bearing DE	<b>6204 2RS/C3</b>
Bearing NDE	<b>6204 2RS/C3</b>