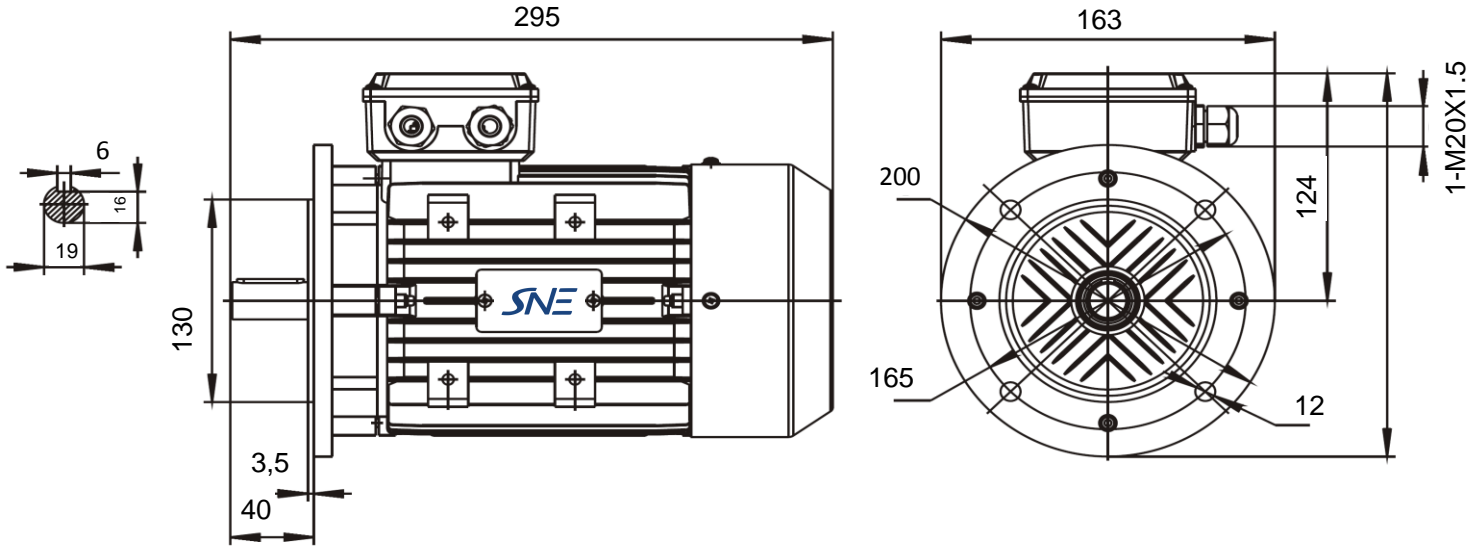


Réf: MSHE-802 0,75KW 4P B5

B5



Specification	IEC 60034-1		
Manufacturer	SNE		
Motor type	MSHE-802		
Rated power	0,75 kW	S1	duty
Speed	1410 r.p.m		
Voltage	230/400 V		
Frequency	50 Hz		
Connection			
230 V	3,15 A		
400 V	2 A		
Enclosure	IP 55		
Insulation Class	F/B		
Max. coolant temp.	40°C		
Max. altitude	1 000 mtr,	above sea level	
Comment			
Cable entries			
Feature	Aluminium		
Weight	11,4 kg		

Efficiency class				
Load data	100%	75%	50%	
Efficiency	79,6	79,2	78,4	%
Power factor	0,75	0,71	0,58	
Sound pressure level (1m)				56,0 dB(A)
Resistance R ₂₀ (open)				Ω
Resistance R ₂₀				Ω
Locked rotor current I _s /I _r				2,9 A
Locked rotor torque M _s /M _r				2,4 Nm
Torque				5,0 Nm
Torque max				2,4 Nm
Rotor inertia	J=GD ² /4			Kgm ²

Bearing DE	6204 2RS/C3
Bearing NDE	6204 2RS/C3