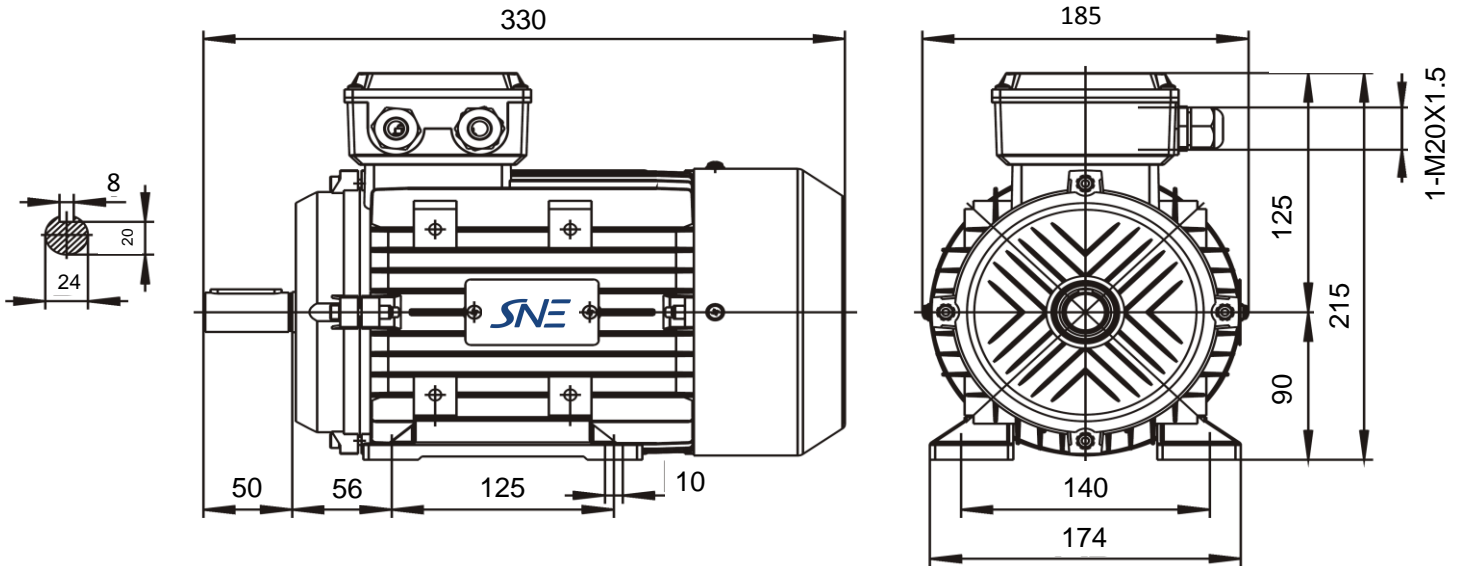


Réf: MSHE-90L 1,1KW 6P B3

B3



Specification	IEC 60034-1		
Manufacturer	SNE		
Motor type	MSHE-90L		
Rated power	1,1 kW	S1	duty
Speed	930 r.p.m		
Voltage	230/400 V		
Frequency	50 Hz		
Connection			
230 V	5,05 A		
400 V	2,9 A		
Enclosure	IP 55		
Insulation Class	F/B		
Max. coolant temp.	40°C		
Max. altitude	1 000 mtr,		above sea level
Comment			
Cable entries			
Feature	Aluminium		
Weight	19 kg		

Efficiency class				
Load data	100%	75%	50%	
Efficiency	78,1	77,9	77,8	%
Power factor	0,70	0,59	0,45	
Sound pressure level (1m)			57,0	dB(A)
Resistance R ₂₀ (open)				Ω
Resistance R ₂₀				Ω
Locked rotor current Is/Ir			7,0	A
Locked rotor torque Ms/Mr			3,2	Nm
Torque			11,1	Nm
Torque max			3,8	Nm
Rotor inertia	J=GD ² /4			Kgm ²

Bearing DE	6205 2RS/C3
Bearing NDE	6204 2RS/C3