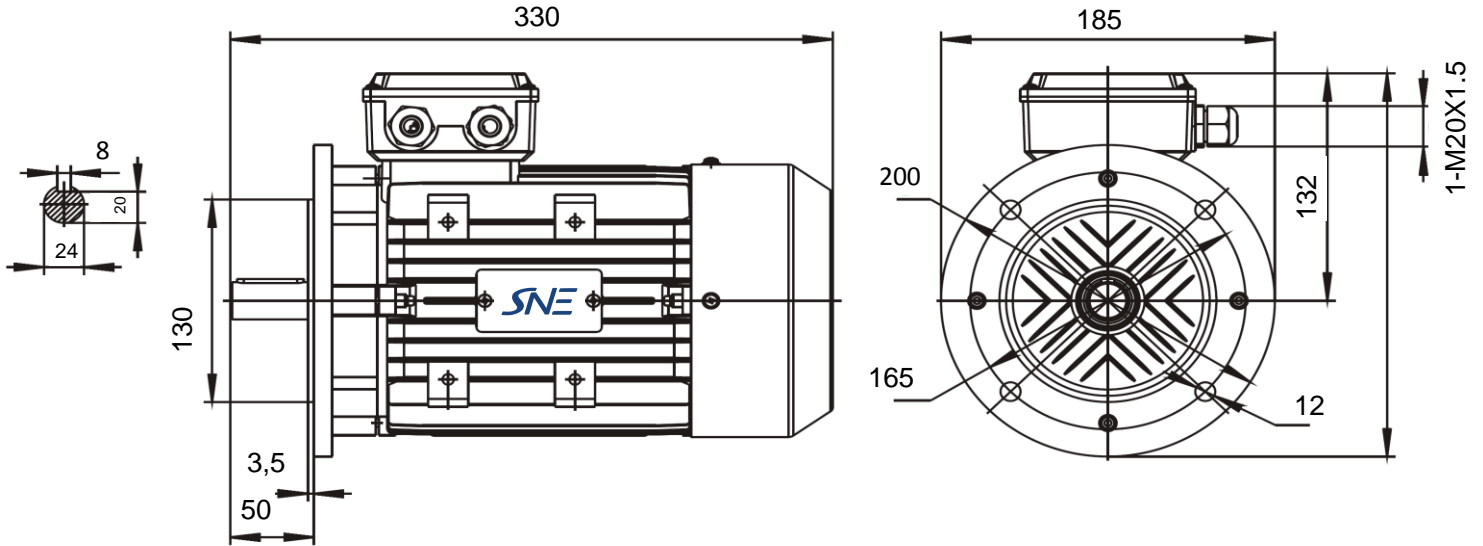


Réf: **MSHE-90L 1,1KW 6P B5**

B5



Specification	IEC 60034-1		
Manufacturer	SNE		
Motor type	MSHE-90L		
Rated power	1 kW	S1	duty
Speed	930 r.p.m		
Voltage	230/400 V		
Frequency	50 Hz		
Connection			
230 V	5,05 A		
400 V	2,09 A		
Enclosure	IP 55		
Insulation Class	F/B		
Max. coolant temp.	40°C		
Max. altitude	1 000 mtr,		above sea level
Comment			
Cable entries			
Feature	Aluminium		
Weight	19 kg		

Efficiency class				
Load data	100%	75%	50%	
Efficiency	78,1	77,9	77,8	%
Power factor	0,70	0,59	0,45	
Sound pressure level (1m)				57,0 dB(A)
Resistance R ₂₀ (open)				Ω
Resistance R ₂₀				Ω
Locked rotor current Is/Ir				7,0 A
Locked rotor torque Ms/Mr				3,2 Nm
Torque				11,1 Nm
Torque max				3,8 Nm
Rotor inertia	J=GD ² /4			Kgm ²
Bearing DE				6205 2RS/C3
Bearing NDE				6204 2RS/C3