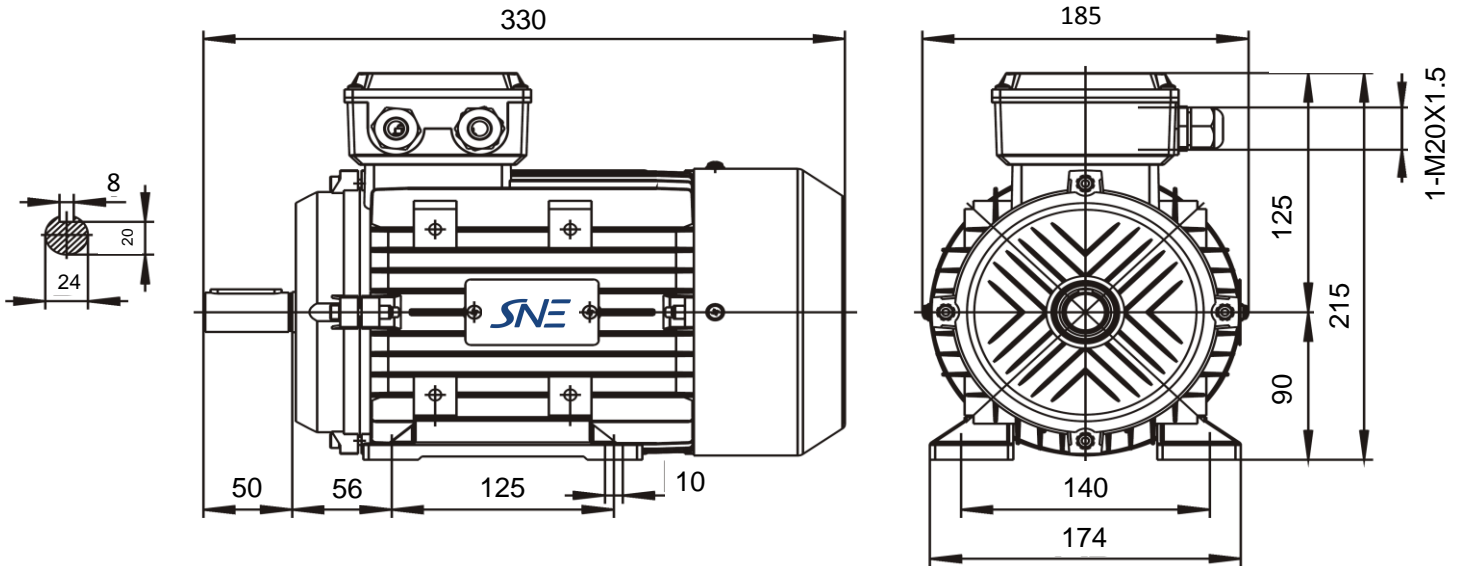


Réf: **MSHE-90L 1,5KW 4P B3**

**B3**



Specification	<b>IEC 60034-1</b>		
Manufacturer	<b>SNE</b>		
Motor type	<b>MSHE-90L</b>		
Rated power	<b>1,5</b>	kW	<b>S1</b> duty
Speed	<b>1418</b>	r.p.m	
Voltage	<b>230/400</b>	V	
Frequency	<b>50</b>	Hz	
Connection			
230 V	<b>6,77</b>	A	
400 V	<b>3,89</b>	A	
Enclosure	<b>IP 55</b>		
Insulation Class	<b>F/B</b>		
Max. coolant temp.	<b>40°C</b>		
Max. altitude	<b>1 000</b>	mtr, above sea level	
Comment			
Cable entries			
Feature	<b>Aluminium</b>		
Weight	<b>18,5</b>	kg	

Efficiency class				
Load data	100%	75%	50%	
Efficiency	<b>83,0</b>	<b>80,9</b>	<b>77,5</b>	%
Power factor	<b>0,67</b>	<b>0,58</b>	<b>0,44</b>	
Sound pressure level (1m)			<b>59,0</b>	dB(A)
Resistance R <sub>20</sub> (open)				Ω
Resistance R <sub>20</sub>				Ω
Locked rotor current Is/Ir			<b>6,8</b>	A
Locked rotor torque Ms/Mr			<b>3,2</b>	Nm
Torque			<b>10,0</b>	Nm
Torque max			<b>3,8</b>	Nm
Rotor inertia	J=GD <sup>2</sup> /4			Kgm <sup>2</sup>

Bearing DE	<b>6205 2RS/C3</b>
Bearing NDE	<b>6204 2RS/C3</b>