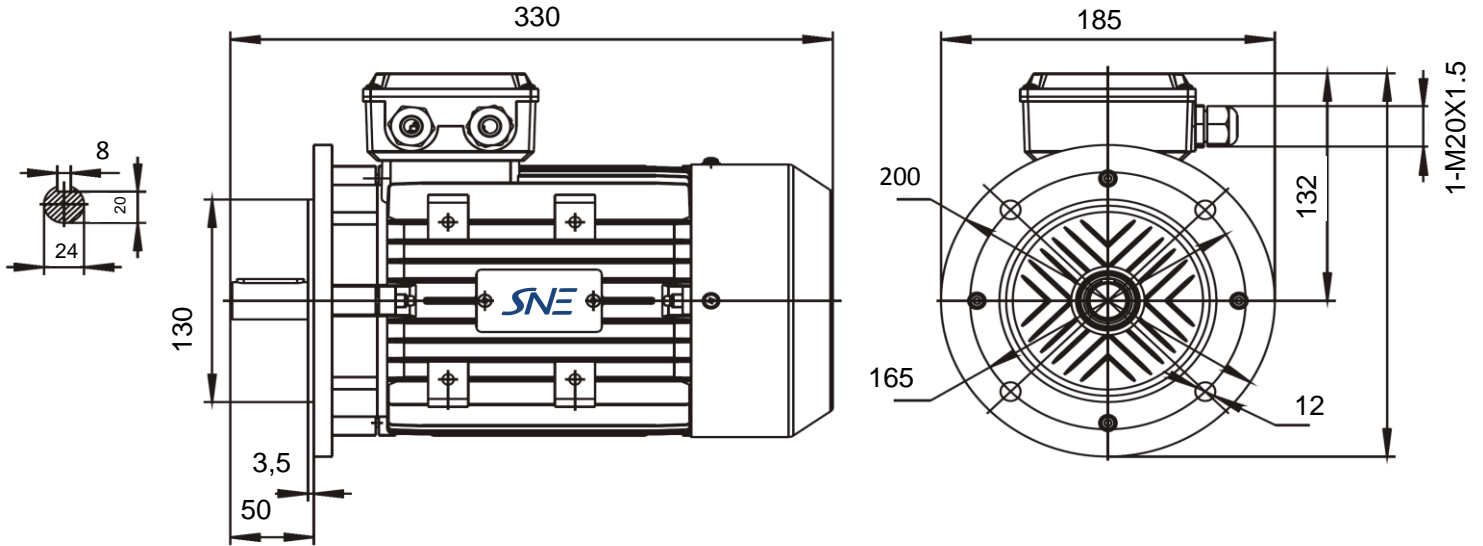


Réf: **MSHE-90L 2,2KW 2P B5**

B5



Specification	IEC 60034-1		
Manufacturer	SNE		
Motor type	MSHE-90L		
Rated power	2,2 kW	S1	duty
Speed	2880 r.p.m		
Voltage	230/400 V		
Frequency	50 Hz		
Connection			
230 V	7,75 A		
400 V	4 A		
Enclosure	IP 55		
Insulation Class	F/B		
Max. coolant temp.	40°C		
Max. altitude	1 000 mtr,	above sea level	
Comment			
Cable entries			

Efficiency class				
Load data	100%	75%	50%	
Efficiency	83,8	82,9	82,2	%
Power factor	0,85	0,78	0,66	
Sound pressure level (1m)				67,0 dB(A)
Resistance R ₂₀ (open)				Ω
Resistance R ₂₀				Ω
Locked rotor current Is/Ir				6,9 A
Locked rotor torque Ms/Mr				2,4 Nm
Torque				7,3 Nm
Torque max				3 Nm
Rotor inertia	J=GD ² /4			Kgm ²

Feature	Aluminium
Weight	17,2 kg

Bearing DE	6205 2RS/C3
Bearing NDE	6204 2RS/C3