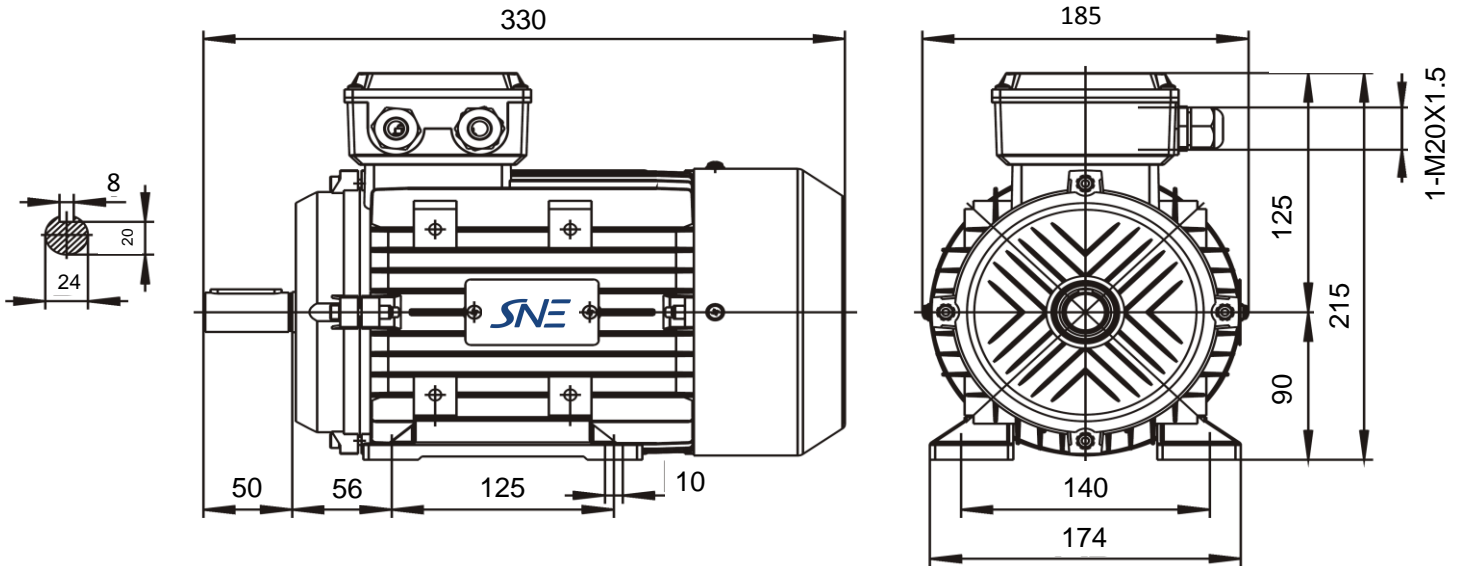


Réf: **MSHE-902** 0,75KW 6P B3

B3



Specification	IEC 60034-1		
Manufacturer	SNE		
Motor type	MSHE-90S		
Rated power	0,75 kW	S1	duty
Speed	930 r.p.m		
Voltage	230/400 V		
Frequency	50 Hz		
Connection			
230 V	3,59 A		
400 V	2,06 A		
Enclosure	IP 55		
Insulation Class	F/B		
Max. coolant temp.	40°C		
Max. altitude	1 000 mtr,	above sea level	
Comment			
Cable entries			
Feature	Aluminium		
Weight	14,9 kg		

Efficiency class				
Load data	100%	75%	50%	
Efficiency	76,0	76,2	75,1	%
Power factor	0,69	0,60	0,44	
Sound pressure level (1m)			57,0	dB(A)
Resistance R ₂₀ (open)				Ω
Resistance R ₂₀				Ω
Locked rotor current I _s /I _r			5,3	A
Locked rotor torque M _s /M _r			2,5	Nm
Torque			7,5	Nm
Torque max			3	Nm
Rotor inertia	J=GD ² /4		0,0055	Kgm ²
Bearing DE			6205 2RS/C3	
Bearing NDE			6204 2RS/C3	