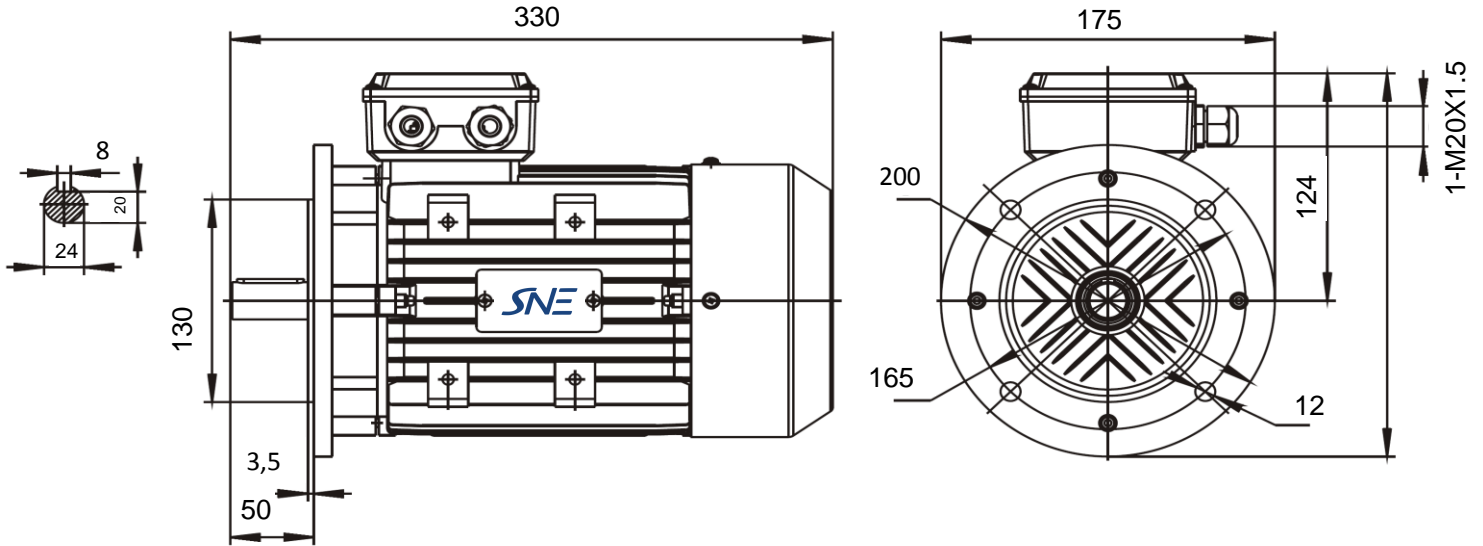


Réf: MSHE-90S 0,75KW 6P B5

## B5



Specification	<b>IEC 60034-1</b>		
Manufacturer	<b>SNE</b>		
Motor type	<b>MSHE-90S</b>		
Rated power	<b>0,75</b> kW	<b>S1</b>	duty
Speed	<b>930</b> r.p.m		
Voltage	<b>230/400</b> V		
Frequency	<b>50</b> Hz		
Connection			
230 V	<b>3,59</b> A		
400 V	<b>2,06</b> A		
Enclosure	<b>IP 55</b>		
Insulation Class	<b>F/B</b>		
Max. coolant temp.	<b>40°C</b>		
Max. altitude	<b>1 000</b> mtr,	above sea level	
Comment			
Cable entries			

Efficiency class				
Load data	100%	75%	50%	
Efficiency	<b>76,0</b>	<b>76,2</b>	<b>75,1</b>	%
Power factor	<b>0,69</b>	<b>0,60</b>	<b>0,44</b>	
Sound pressure level (1m)				<b>57,0</b> dB(A)
Resistance R <sub>20</sub> (open)				Ω
Resistance R <sub>20</sub>				Ω
Locked rotor current Is/Ir				<b>5,3</b> A
Locked rotor torque Ms/Mr				<b>2,5</b> Nm
Troque				<b>7,5</b> Nm
Troque max				<b>3</b> Nm
Rotor inertia	J=GD <sup>2</sup> /4			Kgm <sup>2</sup>

Feature	<b>Aluminium</b>	
Weight	<b>14,9</b> kg	

Bearing DE	<b>6205 2RS/C3</b>
Bearing NDE	<b>6204 2RS/C3</b>