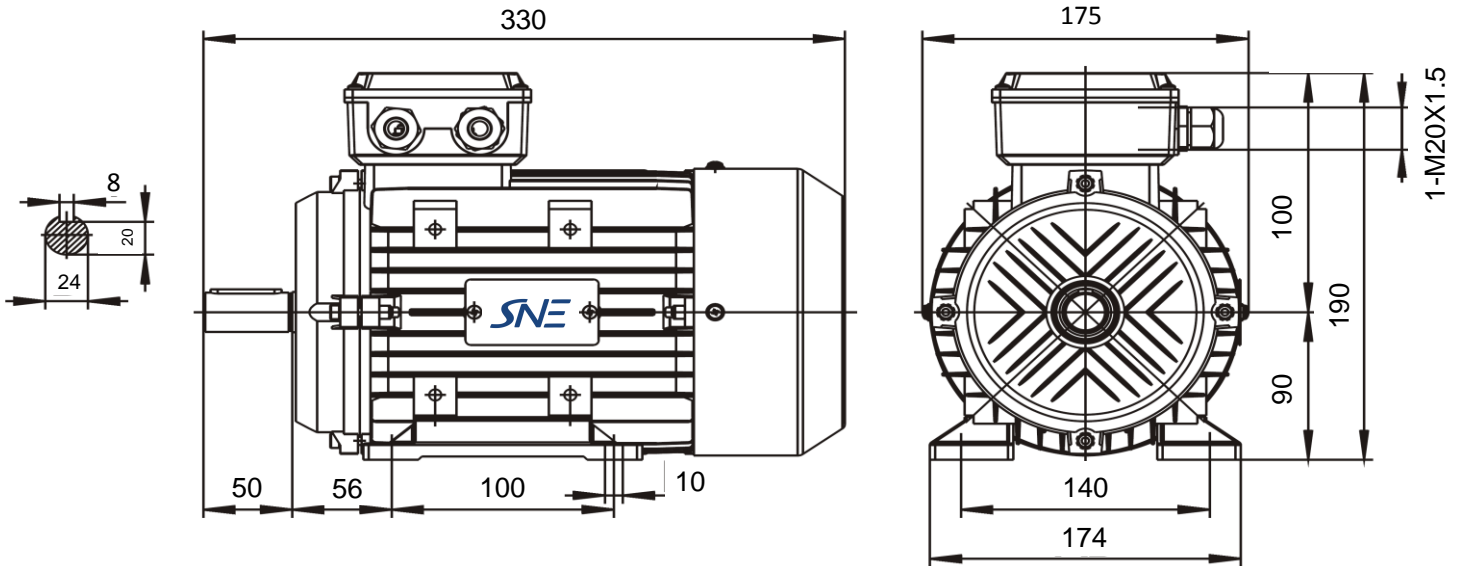


Réf: MSHE-90S 1,1KW 4P B3

B3



Specification	<b>IEC 60034-1</b>		
Manufacturer	<b>SNE</b>		
Motor type	<b>MSHE-90S</b>		
Rated power	<b>1,1</b> kW	<b>S1</b>	duty
Speed	<b>1415</b> r.p.m		
Voltage	<b>230/400</b> V		
Frequency	<b>50</b> Hz		
Connection			
230 V	<b>4,91</b> A		
400 V	<b>2,8</b> A		
Enclosure	<b>IP 55</b>		
Insulation Class	<b>F/B</b>		
Max. coolant temp.	<b>40°C</b>		
Max. altitude	<b>1 000</b> mtr,		above sea level
Comment			
Cable entries			
Feature	<b>Aluminium</b>		
Weight	<b>15,5</b> kg		

Efficiency class				
Load data	100%	75%	50%	
Efficiency	<b>81,5</b>	<b>80,6</b>	<b>77,6</b>	%
Power factor	<b>0,69</b>	<b>0,59</b>	<b>0,45</b>	
Sound pressure level (1m)			<b>59,0</b>	dB(A)
Resistance R <sub>20</sub> (open)				Ω
Resistance R <sub>20</sub>				Ω
Locked rotor current Is/Ir			<b>6,0</b>	A
Locked rotor torque Ms/Mr			<b>3,0</b>	Nm
Torque			<b>7,3</b>	Nm
Torque max			<b>3,5</b>	Nm
Rotor inertia	J=GD <sup>2</sup> /4			Kgm <sup>2</sup>
Bearing DE			<b>6205 2RS/C3</b>	
Bearing NDE			<b>6204 2RS/C3</b>	