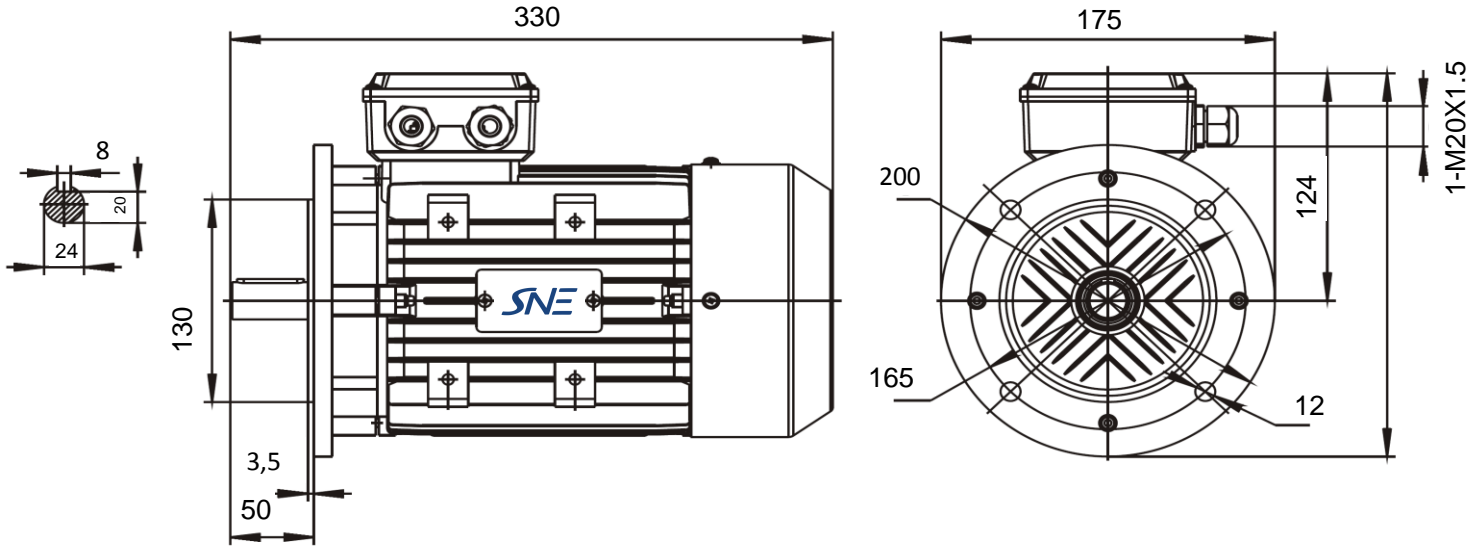


Réf: **MSHE-90S 1,1KW 4P B5**

B5



Specification	IEC 60034-1		
Manufacturer	SNE		
Motor type	MSHE-90S		
Rated power	1,1 kW	S1	duty
Speed	1415 r.p.m		
Voltage	230/400 V		
Frequency	50 Hz		
Connection			
230 V	4,91 A		
400 V	2,82 A		
Enclosure	IP 55		
Insulation Class	F/B		
Max. coolant temp.	40°C		
Max. altitude	1 000 mtr,	above sea level	
Comment			
Cable entries			

Efficiency class				
Load data	100%	75%	50%	
Efficiency	81,5	80,6	77,6	%
Power factor	0,69	0,59	0,45	
Sound pressure level (1m)				59,0 dB(A)
Resistance R ₂₀ (open)				Ω
Resistance R ₂₀				Ω
Locked rotor current Is/Ir				6,0 A
Locked rotor torque Ms/Mr				3,0 Nm
Troque				7,3 Nm
Troque max				3,5 Nm
Rotor inertia	J=GD ² /4			Kgm ²

Feature	Aluminium	
Weight	15,5 kg	

Bearing DE	6205 2RS/C3
Bearing NDE	6204 2RS/C3