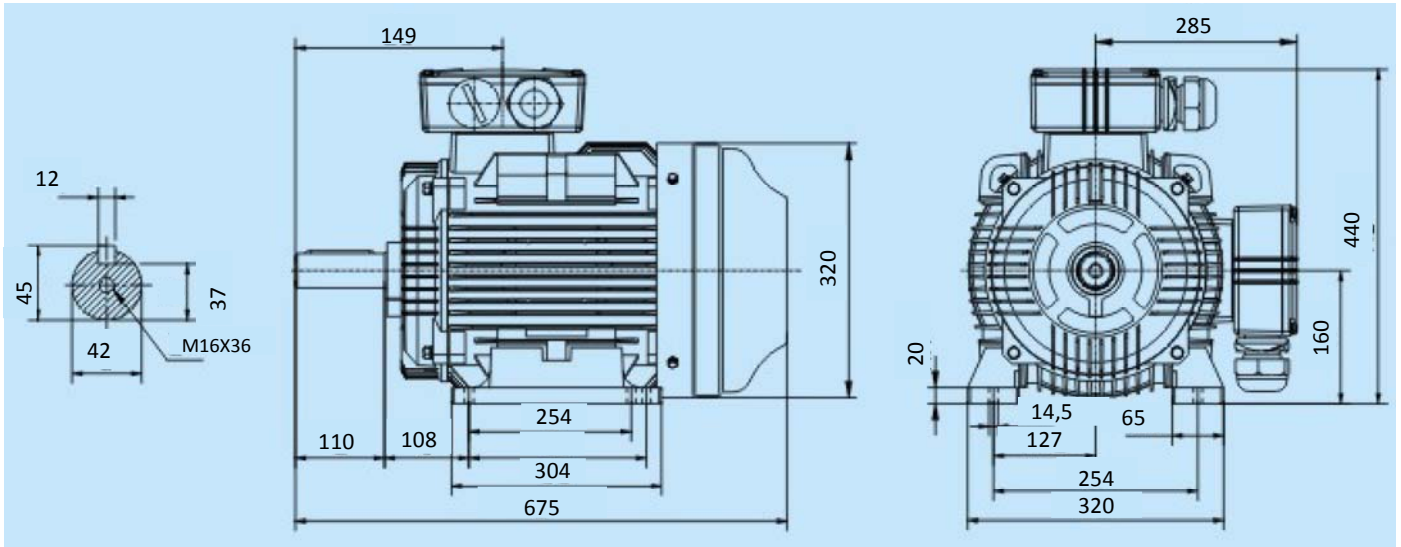


Réf: YE2-160L-4P 15KW 4P B3



Specification	IEC 60034-1	Efficiency class	
Manufacturer	SNE	Load data	100%
Motor type	YE2-160L-4P	Efficiency	90,6 %
Rated power	15 kW S1 duty	Power factor	0,86
Speed	1470 r.p.m	Sound pressure level (1m)	62,0 dB(A)
Voltage	400/690 V	Resistance R ₂₀ (open)	Ω
Frequency	50 Hz	Resistance R ₂₀	Ω
Connection		Locked rotor current	7,5
400 V	27,8 A	Locked rotor torque	2,2
690 V	16,1 A	Torque	97,1
Enclosure	IP 55	Torque max	2,3
Insulation Class	F/B	Rotor inertia J=GD ² /4	0,101 Kgm ²
Max. coolant temp.	40°C	Bearing DE	6309 C3
Max. altitude	1 000 mtr, above sea level	Bearing NDE	6309 C3
Comment			
Cable entries	2-M40X1,5 mm		
Terminal box	200X160X80 mm		
Feature	Cast-iron		
Weight	139 kg		