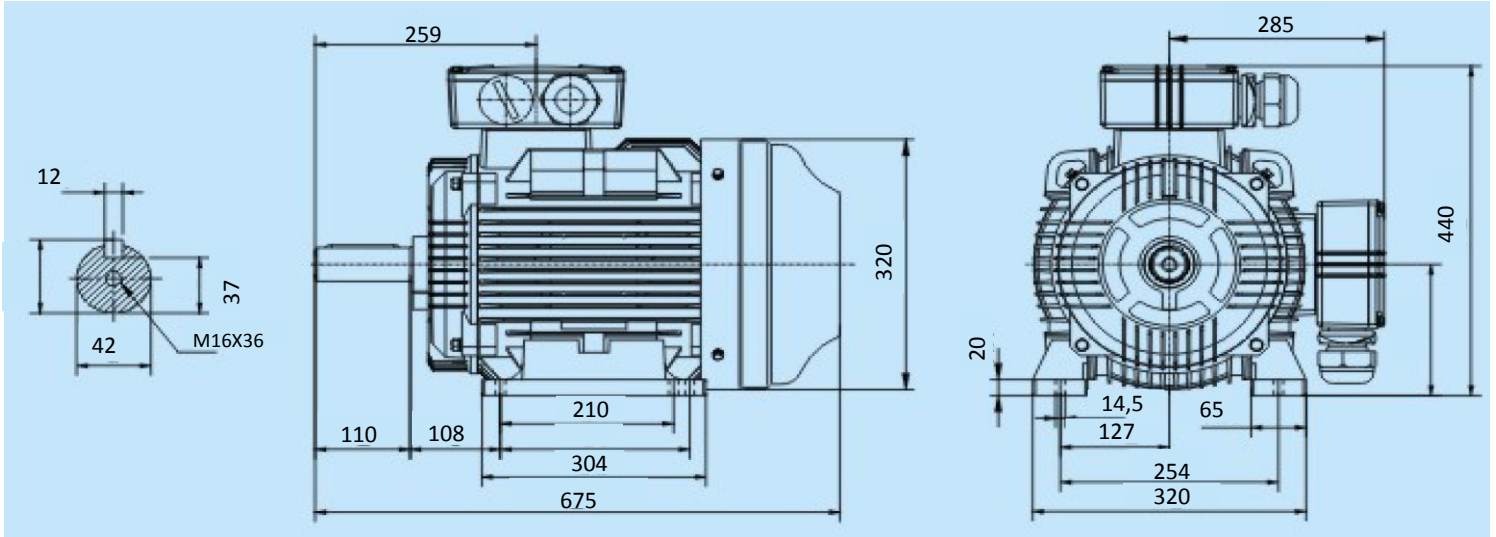


Réf: YE2-160M2-2P 15KW 2P B3



Specification	IEC 60034-1	Efficiency class	
Manufacturer	SNE	Load data	100%
Motor type	YE2-160M2-2P	Efficiency	90,3
Rated power	15 kW S1 duty	Power factor	0,89
Speed	2945 r.p.m	Sound pressure level (1m)	73,0 dB(A)
Voltage	400/690 V	Resistance R ₂₀ (open)	Ω
Frequency	50 Hz	Resistance R ₂₀	Ω
Connection		Locked rotor current I _s /I _r	8,0 A
400 V	26,9 A	Locked rotor torque M _s /M _r	2,2 Nm
690 V	15,5 A	Torque	48,6 Nm
Enclosure	IP 55	Torque max	2,3 Nm
Insulation Class	F/B	Rotor inertia J=GD ² /4	0,0559 Kg ^m ²
Max. coolant temp.	40°C	Bearing DE	6309C3
Max. altitude	1 000 mtr, above sea level	Bearing NDE	6309C3
Comment			
Cable entries	2-M40X1,5 mm		
Terminal box	200X160X80 mm		
Feature	Cast-iron		
Weight	128 kg		