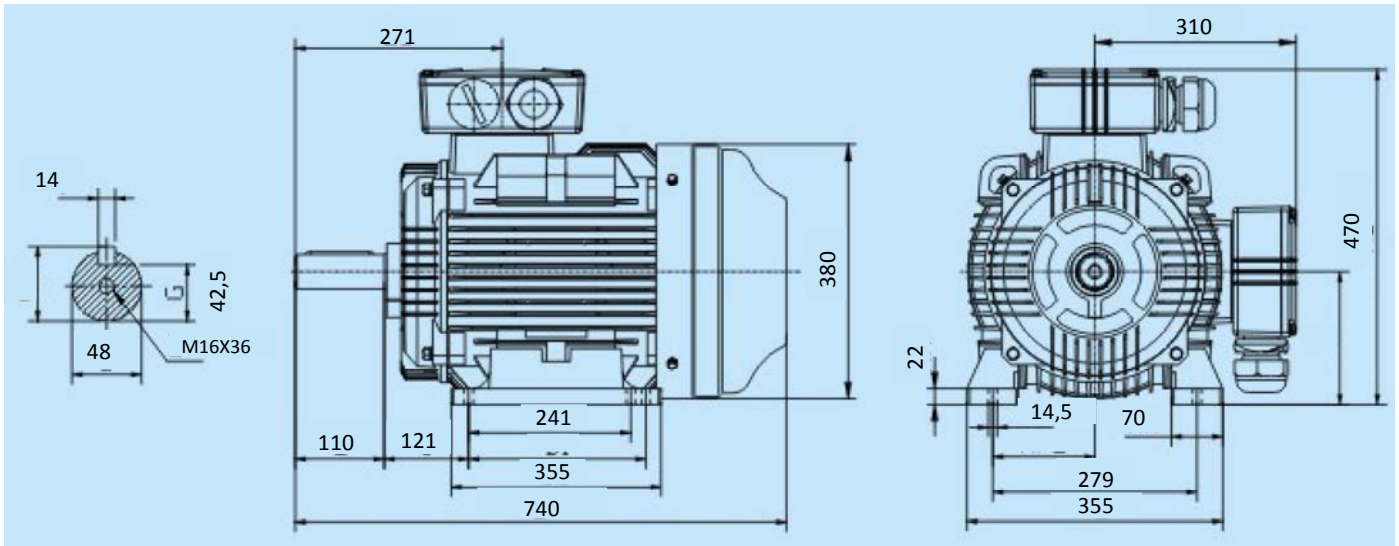


Réf: YE2-180L-4P 22KW 4P B3



Specification	IEC 60034-1		
Manufacturer	SNE		
Motor type	YE2-180L-4P		
Rated power	22 kW	S1	duty
Speed	1475	r.p.m	
Voltage	400/690	V	
Frequency	50	Hz	
Connection			
400 V	40,3	A	
690 V	23,3	A	
Enclosure	IP 55		
Insulation Class	F/B		
Max. coolant temp.	40°C		
Max. altitude	1 000	mtr,	above sea level
Comment			
Cable entries	2-M40X1,5	mm	
Terminal box	200X160X80	mm	
Feature	Cast-iron		
Weight	197	kg	

Efficiency class			
Load data	100%		
Efficiency	91,6	%	
Power factor	0,86		
Sound pressure level (1m)	62,0	dB(A)	
Resistance R ₂₀ (open)		Ω	
Resistance R ₂₀		Ω	
Locked rotor current	7,8	A	
Locked rotor torque	2,2	Nm	
Torque	142,4	Nm	
Torque max	2,3	Nm	
Rotor inertia	J=GD ² /4	0,187	Kgm ²
Bearing DE		6311 /C3	
Bearing NDE		6311 /C3	