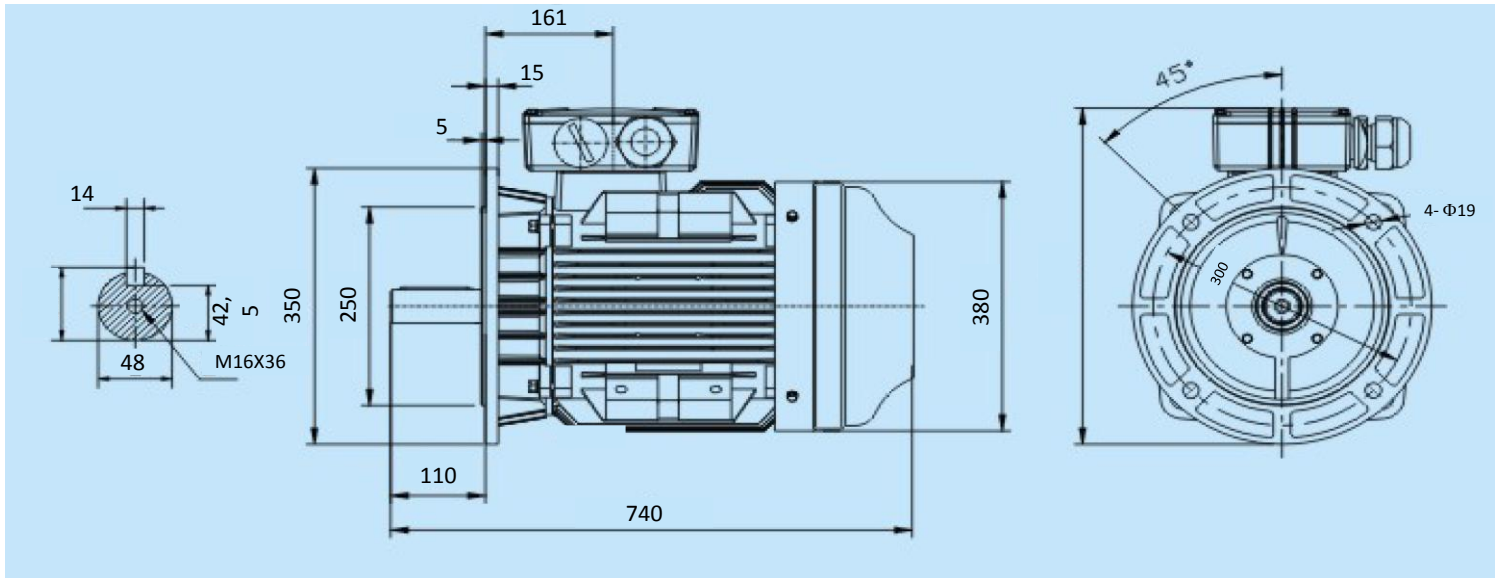


Réf: YE2-180L-4P 22KW 4P B5



| | | | | |
|--------------------|--------------------|-----------------|---|---------------------------------|
| Specification | IEC 60034-1 | | Efficiency class | |
| Manufacturer | SNE | | Load data | 100% |
| Motor type | YE2-180L-4P | | Efficiency | 91,6 % |
| Rated power | 22 kW | S1 duty | Power factor | 0,86 |
| Speed | 1475 r.p.m | | Sound pressure level (1m) | 76,0 dB(A) |
| Voltage | 400/690 V | | Resistance R ₂₀ (open) | Ω |
| Frequency | 50 Hz | | Resistance R ₂₀ | Ω |
| Connection | | | Locked rotor current I _s /I _r | 7,8 A |
| 400 V | 40,3 A | | Locked rotor torque M _s /M _r | 2,2 Nm |
| 690 V | 23 A | | Torque | 142,4 Nm |
| Enclosure | IP 55 | | Torque max | 2,3 Nm |
| Insulation Class | F/B | | Rotor inertia J=GD ² /4 | 0,1865 Kg·m ² |
| Max. coolant temp. | 40°C | | | |
| Max. altitude | 1 000 mtr, | above sea level | | |
| Comment | | | | |
| Cable entries | 2-M40X1,5 | mm | Bearing DE | 6311 /C3 |
| Terminal box | 200X160X80 | mm | Bearing NDE | 6311 /C3 |
| Feature | Cast-iron | | | |
| Weight | 197 kg | | | |